

60" CLASS (59.5" DIAGONAL)

50" CLASS (50.0" DIAGONAL)

60PS60C

50PS60C

PLASMA TV

## Plasma Widescreen Commercial HDTV with Full HD Resolution



FULL HD 1080p RESOLUTION  
1920 x 1080 Native Resolution



EcoSmart™ - ENERGY SAVINGS  
Intelligent Sensor - Automatic  
3 Mode Power Saving Levels - Manual



RoHS AND ENERGY STAR® 3.0 COMPLIANT

FRAMELESS "SINGLE LAYER" DESIGN  
Seamless sheet of glass

LIFE SPAN (typical)  
100,000 hours to half brightness (approx.)

INVISIBLE SPEAKER SYSTEM  
No visible speaker grilles

BUILT-IN TUNERS  
ATSC/NTSC/Clear QAM

PUBLIC DISPLAY SETTINGS  
Cloning capable with  
optional TVLink-Loader, TLL-1100A

IMPROVED! DYNAMIC CONTRAST RATIO  
2,000,000:1

IMPROVED! HIGH BRIGHTNESS  
1500 cd/m<sup>2</sup>

LG'S EXCLUSIVE XD ENGINE®

ISFccc CALIBRATION READY

600Hz SUB-FIELD DRIVING

IMPROVED! 4 HDMI™ INPUTS  
V.1.3 with deep color

PC INPUT

HIGH-GLOSS BLACK CABINET  
Slim Depth 3.2" (60"), 3.1" (50")  
Detachable swivel (20°/20°) stand

2-YEAR LIMITED WARRANTY  
(parts/labor)

[www.LGcommercial.com](http://www.LGcommercial.com)

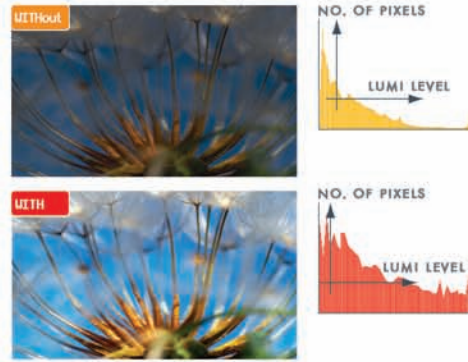


**LG**  
Life's Good

# XD ENGINE

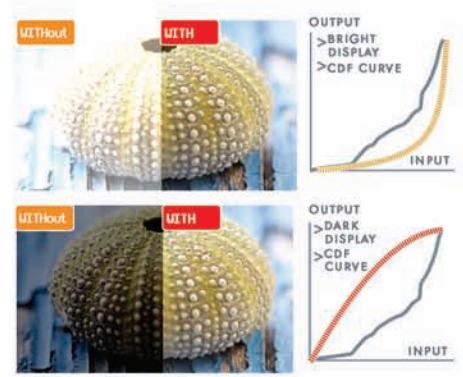
SHARPER  
BRIGHTER  
CLEARER

**ULTRA CONTRAST**  
AT A BLAZINGLY FAST 370 MILLION PIXELS PER SECOND, THE PROCESSOR USES A HISTOGRAM ANALYZATION TOOL TO CLARIFY THE IMAGE DATA ACCORDING TO SIGNAL BRIGHTNESS LEVELS.



Dramatization

**DYNAMIC BLACK STRETCH**  
THE MINIMUM BLACK LEVEL OF AN IMAGE IS AUTOMATICALLY DETECTED AND ADJUSTED ACCORDING TO BRIGHTNESS.



Dramatization

# EcoSmart



ENERGY SAVINGS

## INTELLIGENT SENSOR

LG's Intelligent Sensor automatically enhances picture quality which can help save energy and money. Unlike other sensors which can only sense brightness of ambient light, the Intelligent Sensor uses a 12-bit process to evaluate its surroundings for a more detailed adjustment.

## THREE MODE POWER SAVING LEVELS

Manually select your choice for the brightness level for the television. By selecting Minimum, Medium, or Maximum, the power consumption will be reduced and an increase in energy savings can be achieved.

50PS60C in Vivid Mode

POWER SAVING MODE	POWER CONSUMPTION*	ENERGY SAVINGS**
Off	295 Wh	0%
Minimum	247.8 Wh	16%
Medium	200.6 Wh	32%
Maximum	153.4 Wh	48%

60PS60C in Vivid Mode

POWER SAVING MODE	POWER CONSUMPTION*	ENERGY SAVINGS**
Off	380 Wh	0%
Minimum	319.2 Wh	16%
Medium	258.4 Wh	32%
Maximum	197.6 Wh	48%

NOTES: \*Power consumption was measured with video signal - IEC62087 dynamic broadcast. \*\*Percentages listed are percentages based off of Power Consumption in the Off mode.

## 600Hz

The PS60C Series uses 600Hz Sub-field Driving which reacts very quickly to the changes on screen making fast action motion clearer.



Public Display Settings	
Public Display Mode	No
Start Channel	No
Ch. Type	TV
Major	2
Minor	0
Minimum Volume	0
Maximum Volume	100
Start Volume	No
Level	20
Power Management	No
Setting	1
Key Management	0
Factory Reset	0
Aspect Ratio	0

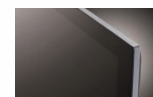
## PUBLIC DISPLAY SETTINGS

CLONING CAPABLE with optional TVLink-Loader, TLL-1100A

When used in public areas, these HDTVs can be easily programmed by the installer to have the TV turn on at a specified channel/volume level, set the minimum/maximum volume, lock out the control panel/remote, set the aspect ratio, and return to a factory reset. By using Power Management, these displays can be programmed to turn off if there has been no activity (remote or control panel buttons) for a preset time (1-7) hours.



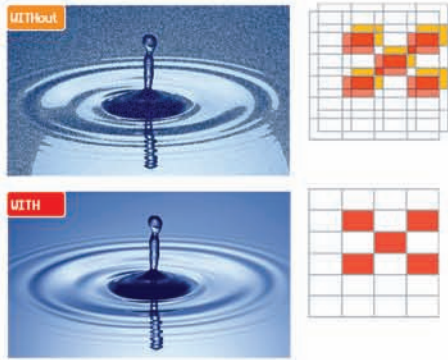
TAKE IT TO THE EDGE "SINGLE LAYER" FRAMELESS TECHNOLOGY



TAKE IT TO THE EDGE achieves a uniquely frameless TV by using a "Single Layer" technology of a seamless sheet of glass, eliminating the traditional frames of a display screen.

## CLEAR SCREEN

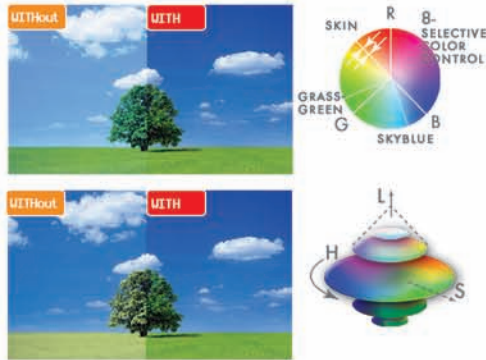
USING THE NOISE FILTER INSIDE THE XD ENGINE CHIP, THE IMAGE IS ANALYZED FOR TEMPORAL AND SPATIAL INFORMATION TO REDUCE MPEG NOISE.



Dramatization

## ADVANCED VIVID COLOR

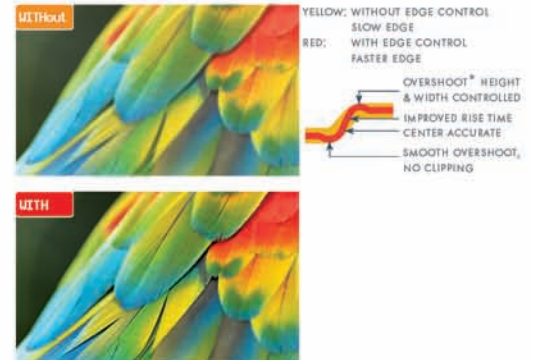
COLORS THAT ARE SENSITIVE TO THE HUMAN EYE ARE OPTIMIZED TO THE NEAREST TRUE COLOR BY THE SELECTIVE COLOR CONTROL.



Dramatization

## INTELLIGENT EDGE CONTROL

EDGE LINES ARE EMPHASIZED BY IMPROVING THE TRANSITION FROM THE BACKGROUND TO THE MAIN OBJECT.



Dramatization

## REMOTE CONTROL



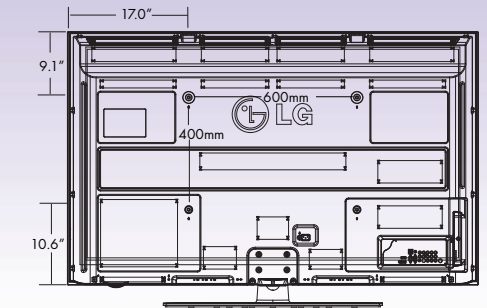
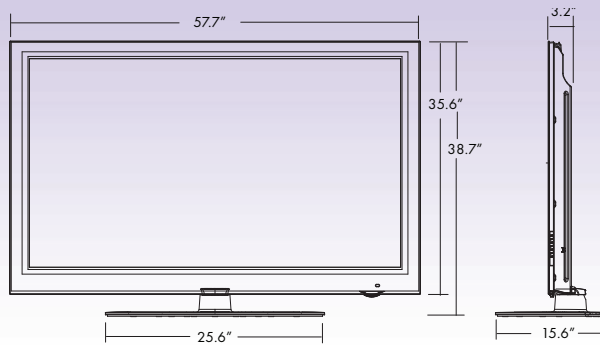
## TLL-1100A TVLink-Loader (optional)

By using the handheld, rechargeable TVLink-Loader, the installer can "clone" the Public Display Settings from one TV and then transfer this information quickly to many other TVs that have this feature.

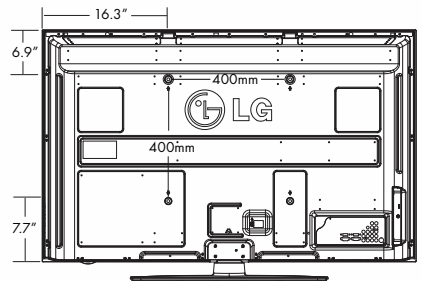
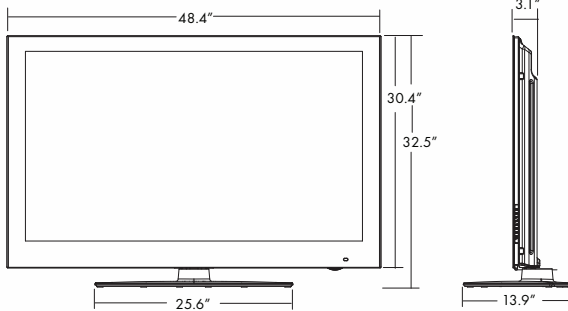


# DIMENSIONS

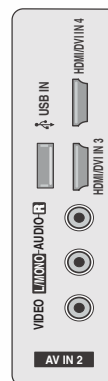
### 60PS60C



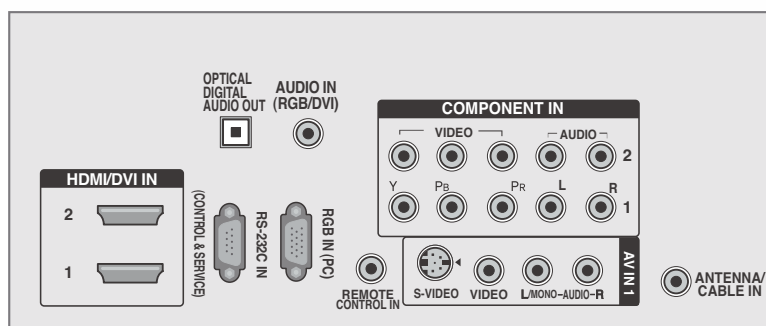
### 50PS60C



## SIDE JACK PANEL



## REAR JACK PANEL



60PS60C

60" CLASS (59.5" DIAGONAL)

50PS60C

50" CLASS (50.0" DIAGONAL)

SPECIFICATIONS

**PLASMA MODULE**

PDP Panel Type	50" (50PS60C), 60" (60PS60C)
Display Area	50.0" (50PS60C), 59.5" (60PS60C)
Native Display Resolution	1920 x 1080
Dynamic Contrast Ratio	2,000,000:1
Contrast Ratio	30,000:1
Brightness	1,500 cd/m <sup>2</sup>
600Hz Sub-Field Driving	Yes, 10 sub-fields per frame
Life Span (approx.)	100,000 hours to half brightness
Filter Type	Anti-reflective screen
Viewing Angle (H/V)	178°/178°

**VIDEO**

ATSC/NTSC/Clear QAM Tuner	1 Built-in tuner
Digital Comb Filter	3D
Color Temperature Adjustment	3 Modes
3:2 Pull Down	Yes
Aspect Ratio Adjustment	6 Modes
Picture Preset Modes	7 Modes
XD Engine	Yes
Aspect Ratio	16:9
Pure Black Level	Yes
Black Stretcher (Black Level Enhancer)	Yes
Just Scan (1:1 Pixel matching)	HDMI 1080p/1080i/720p
(0% overscan)	Component 1080p/1080i/720p RF 1080i/720p

DTV Signal Strength Indicator	Yes (digital)
Color Reproduction	10-bit Chassis Output
Enhanced Noise Reduction	Yes (3D & MPEG)
Picture Reset	Yes
Picture Wizard	Yes
Image Sticking Minimization	White Wash, Orbiter, Color Wash
XD Color	Yes (Active Color Management)
AV Mode (Picture and Sound)	Yes (Cinema, Sports, Game)
ISFccc Calibration Ready	Yes

**REAR INPUTS**

Antenna/Cable In (RF)	1
HDMI with HDCP	2 (V.1.3 with Deep Color)
Composite Video & Audio L/R In	1
Component & Audio L/R In	2
RGB In (15-pin female mini D-Sub) - PC	1
PC Audio In	1
RS-232C In (9-pin male D-Sub)	1 (Control/Service)
Remote Control In (IR)	1
S-Video In	1

**REAR OUTPUTS**

Digital Audio Out (Optical)	1
-----------------------------	---

**SIDE INPUTS**

Composite Video & Audio L/R In	1
HDMI In/HDCP	2 (V.1.3 with Deep Color)
USB (2.0) Music, Photo	1 (mp3, JPEG, service)

**UPC**

60PS60C	7 19192 17557 0
50PS60C	7 19192 17556 3

**AUDIO**

Audio Output Power (THD 10%)	10W + 10W
Invisible Speaker System	Yes (No visible speaker grilles)
Speaker System Details	1 Way 2 Speakers
Surround System Type	SRS TruSurround XT™
Clear Voice II	Yes
Mono/Stereo/Dual (MTS/SAP)	Yes
Sound Selection Mode	5 Modes
Mute	Yes
AVL (Auto Volume Leveler II)	Yes
Bass/Treble/Balance	Yes
Dolby Digital Decoder	Yes

**POWER**

EcoSmart - Energy Savings	
Intelligent Sensor	Yes (automatic)
3 Mode Power Saving Levels	Yes (manual - Min, Med, Max)
Stand by (stand by)	under 0.2W
Stand by (off mode)	under 0.1W
Power Consumption (typ.)	380 Wh (measured with video signal - IE62087 dynamic broadcast) (60") 295 Wh (measured with video signal - IE62087 dynamic broadcast) (50")
Power Requirement	AC 100~240V, 50/60Hz

**SPECIAL FEATURES**

Public Display Settings	Yes (9 settings)
THX Media Director	Yes
SimpLink™ (HDMI CEC)	Yes
Custom Input Labels	Yes
Trilingual Menus	English, Spanish, French
EZ Menus	Yes
Auto Channel Programming	Yes
AV Input Navigation	Yes (EZ input toggle)
Quick Setup Guide	Yes
Favorite Channel Programming	Yes
Channel Add/Delete/Edit	Yes
Quick View(Flashback)	Yes
Closed Caption	Yes
Parental Control w/V-Chip	Yes
On/Off Timer	Yes
Sleep Timer	Yes (10 min. to 240 min.)
Auto Off (when no video is present)	Yes (After 10 minutes)
Auto Sleep	Yes
Auto and Manual Clock	Yes
Key Lock	Yes
1080p Source Input	HDMI 60p/30p/24p Component 60p/30p/24p RGB 60p

**CABINET**

	50PS60C	60PS60C
Dimensions	with Stand (W×H×D) 48.4" x 32.5" x 13.9" without Stand (W×H×D) 48.4" x 30.4" x 3.1" packaging (W×H×D) 58.9" x 12.9" x 34.8"	57.7" x 38.7" x 15.6" 57.7" x 35.6" x 3.2" 63.6" x 44.9" x 20.3"
Weight	with Stand 77.2 lbs without Stand 71.7 lbs with packaging 90.0 lbs	112.0 lbs 99.2 lbs 118.6 lbs

Cabinet Style	Table Top
Table Stand Included	Detachable Swivel (20°/20°)
Cabinet Color	High Gloss Black
Stand Color	High Gloss Black
VESA™ Compatible	600mm x 400mm (60PS60C) 400mm x 400mm (50PS60C)

Power Button	Red (Stand-by); Blue (On)
Cable Management Clip	Yes

**OPERATING ENVIRONMENTS**

Storage Temperature Range	-4° F to 140° F (-20° C to 60° C)
Storage Humidity Range	under 85%
Altitude	Up to 9,514 feet (2,900m)
Operating Temperature	32° F to 104° F (0° C to 40° C)
Operating Humidity Range	under 80%

**COMPATIBLE FORMATS**

HDTV, NTSC, VGA, SVGA, XGA, WXGA	Yes
Max Computer Resolution (RGB)	1360 x 768 (WXGA)

**REQUIRED APPROVALS**

UL, c-UL, FCC	Yes
RoHS Compliant	Yes
ENERGY STAR 3.0 Compliant	Yes

**SERVICE/LIMITED WARRANTY**

Limited Warranty	2 Years (Parts/Labor)
------------------	-----------------------

**SUPPLIED ACCESSORIES**

Owners Manual, Power Cord (6 foot), LG Universal Remote Control



www.LGcommercial.com

LG Electronics U.S.A., Inc.  
Business Solutions Division  
2000 Millbrook Drive  
Lincolnshire, IL 60069

Customer Service: 888.865.3026

Contact your LG Regional Sales Representative:  
Enterprise: 800.897.8788  
Hospitality: 800.228.1236  
Channel: 800.897.8871  
E-mail: LGcommercial@lge.com



**LG**  
Life's Good

SPEC\_PS60C\_060915\_PR

Printed in the USA. June 2009

All screen images are simulated. Dimensions and weights are approximate. Design, features and specifications subject to change without notice.

© Copyright 2009 LG Electronics USA, Inc. All Rights Reserved. "LG Life's Good" is a registered trademark of LG Corp. Dual XD Engine is a trademark of LG Electronics, Inc. VESA is a trademark of Video Electronics Standards Association. Dolby is a registered trademark of Dolby Laboratories. SRS and the SRS symbol are registered trademarks of SRS Labs, Inc. in the U.S. and selected foreign countries. TruSurround XT is a trademark of SRS Labs, Inc. ENERGY STAR is a registered trademark of the U.S. Environmental Protection Agency. All other corporate and brand names are trademarks of their respective owners.