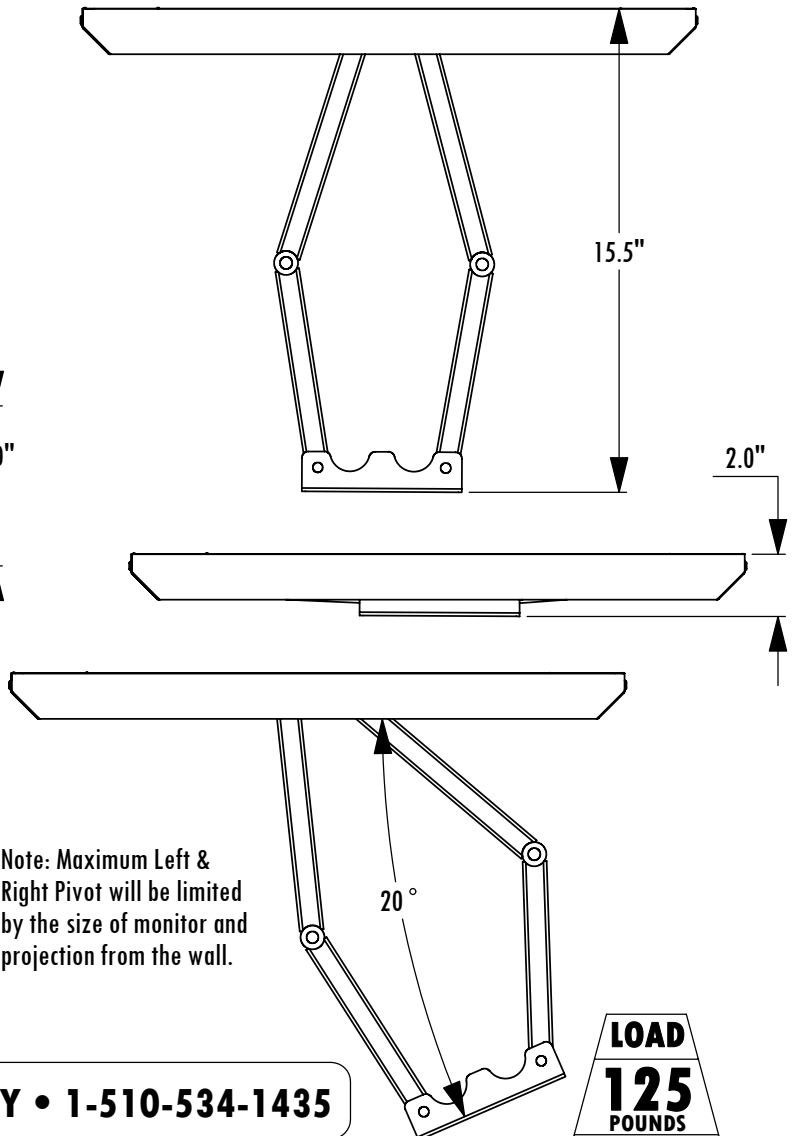
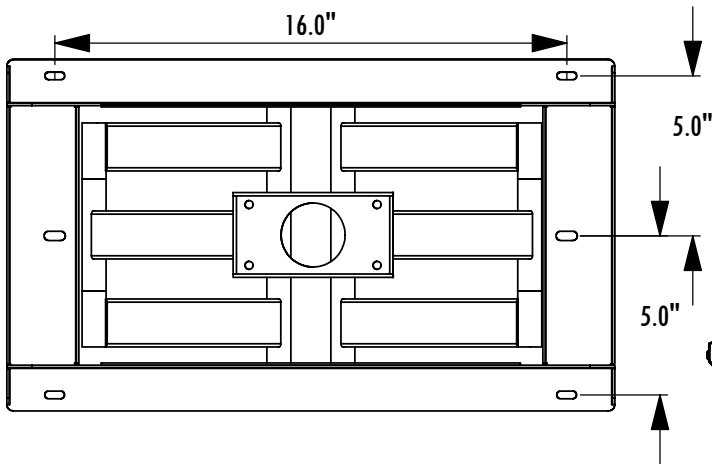
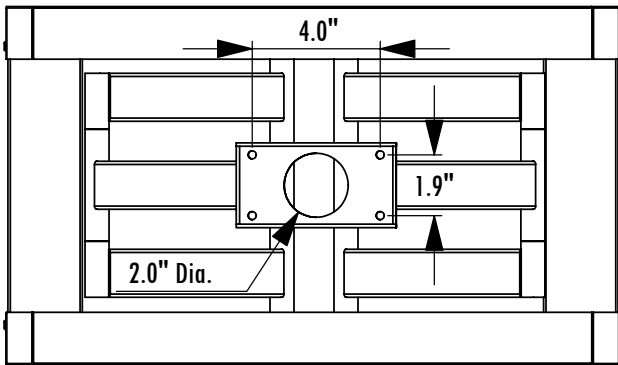
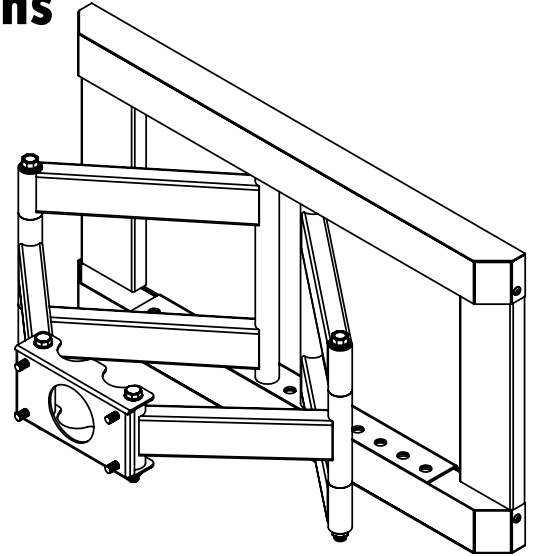


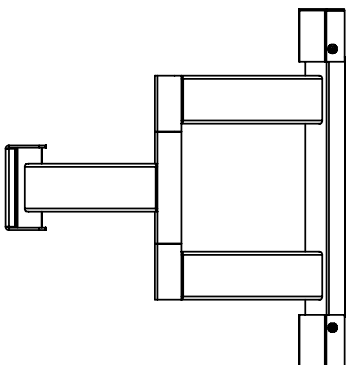
FSWADS2 Dimensions

**Double Stud Dual Articulating Wall Mount
for Flat Panel Screens up to 32"-60"
Requires Additional FSU Adaptor**

Model	Load Limit (lbs.)	Swivel	Tilt	Projection from Wall	Ship. Wt. (lbs.)
FSWADS2	125	180°	0	3"-15"	22



Note: Maximum Left & Right Pivot will be limited by the size of monitor and projection from the wall.



1-800-LUCASEY • 1-510-534-1435

©2007 Lucasey Manufacturing Corporation, Oakland, California

