

LC100WP - Pivoting Wall Mount for Flat Screens up to 35lbs **VESA 75mm & 100mm Mounting Patterns**

The LC100WP attaches to small and medium size flat screens up to 35lbs with 75mm or 100mm mounting patterns. The pivot point at the wall and projection allow the monitor to be pivoted from left to right for the optimum viewing angle. The mount allows for tilt adjustment both up and down $\pm 45^\circ$. Wood lag screws are provided for quick and easy installation into a single wall stud.

Features:

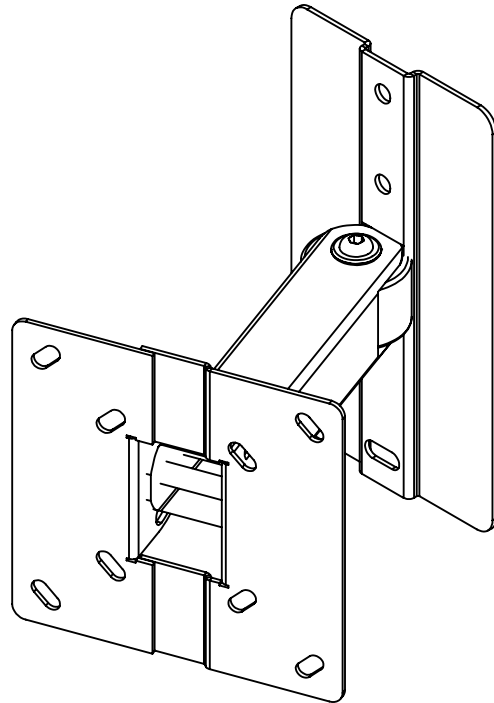
Available in black and silver finishes

Fits flat screens up to 35lbs

Universal mounting pattern fits 75mm & 100mm VESA compatible monitors

Pivots at the wall for left to right viewing angle adjustment

Tilts up and down up to $\pm 45^\circ$



Optional Accessories:

WMATB3 - Metal Stud Toggle Bolt Kit

WMAAB3 - Concrete Anchor Bolt Kit

LCDUWS - Security Screw Kit

LCAPDVD2 - Hanging DVD Mount

Maximum Load Limit:

35lbs (15.9 Kg.)

Product Weight:

3.0lbs (1.4kg)

Shipping Weight:

8.1lbs (3.7kg) (2 per Box)

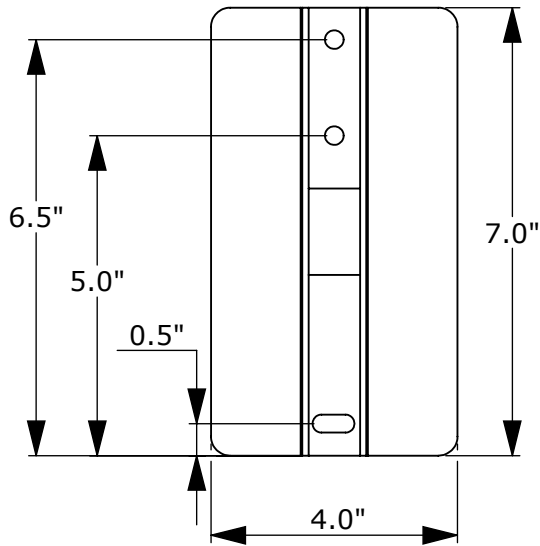
Carton Dimensions:

15"L x 12"W x 8"H (2 per Box)

Architectural Specification: The Pivoting Wall Mount shall be Lucasey model LC100WP and shall be located where indicated on the plans. It shall feature monitor attaching plates included compatible with VESA 75mm and 100mm mounting patterns. Assembly and installation shall be done according to instructions provided by the manufacturer.

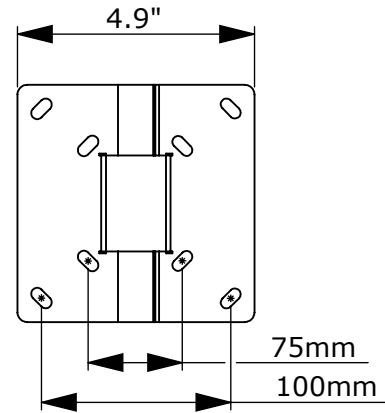


Wall Plate

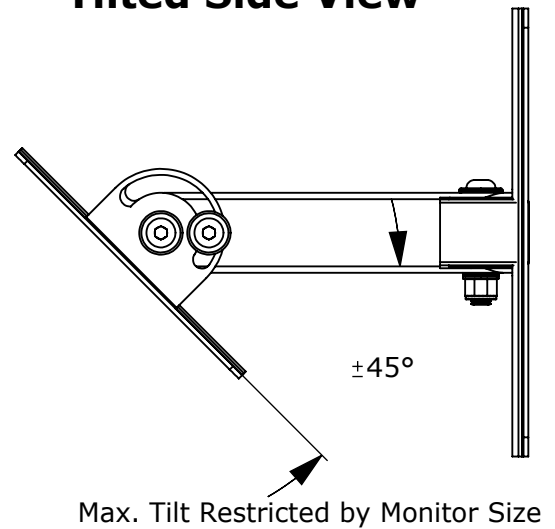


Side View

VESA Mounting Plate



Tilted Side View



Top View

