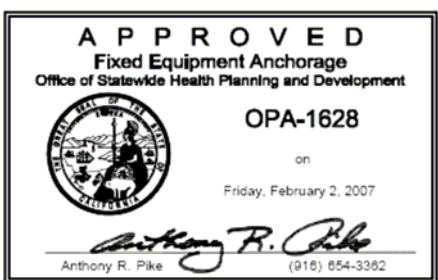
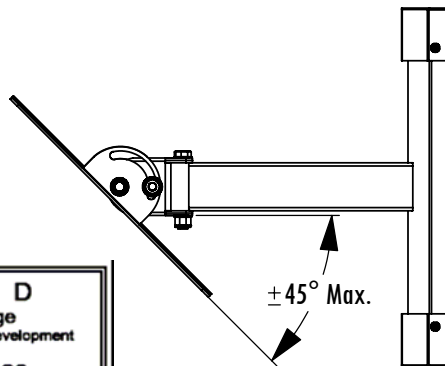
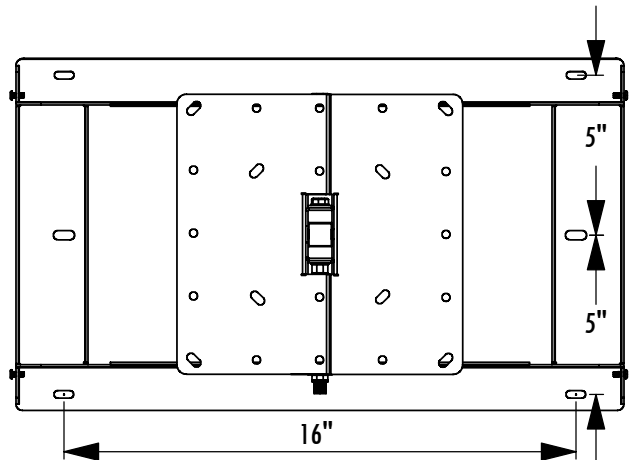
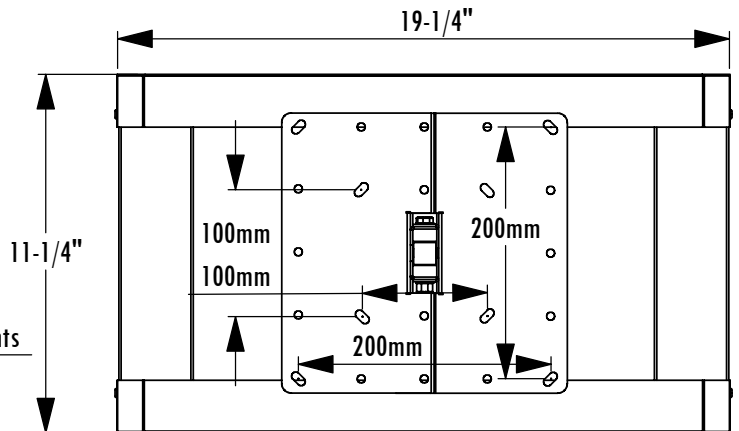
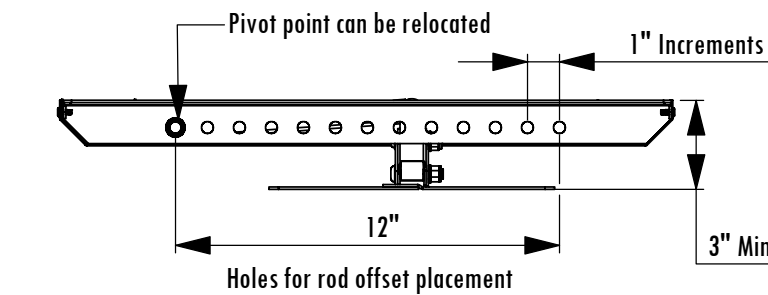
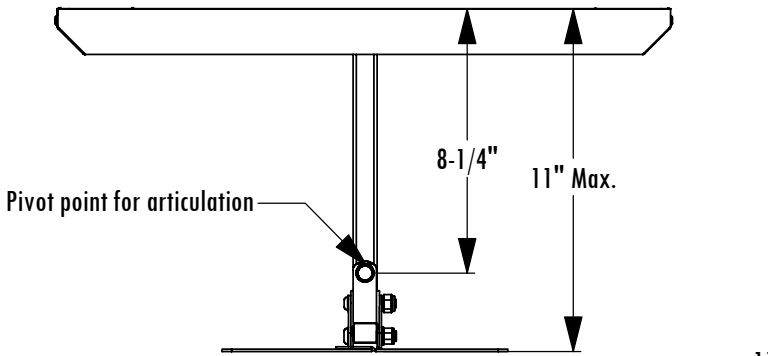
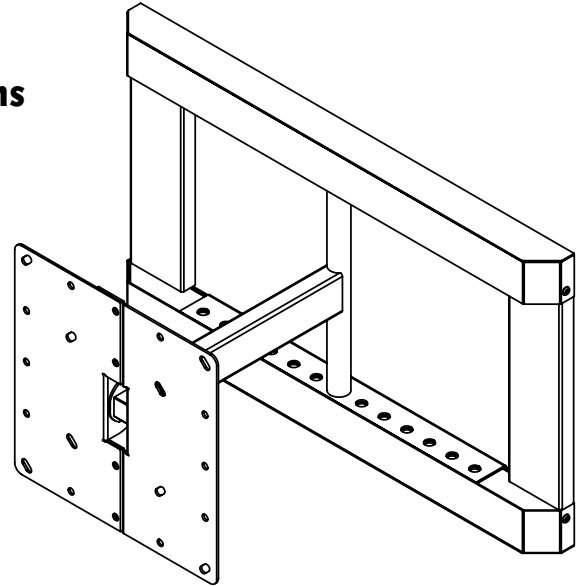


LC200DS1 Dimensions

**Double Stud Dual Articulating Wall Mount
for Flat Panel Screens up to 32"
with up to 200mm x 200mm VESA® Mounting Patterns**

Model	Load Limit (lbs.)	Swivel	Tilt	Projection from Wall	Ship. Wt. (lbs.)
LC200DS1	60	180°	±45°	3"-11"	15



1-800-LUCASEY • 1-510-534-1435

©2007 Lucasey Manufacturing Corporation, Oakland, California

