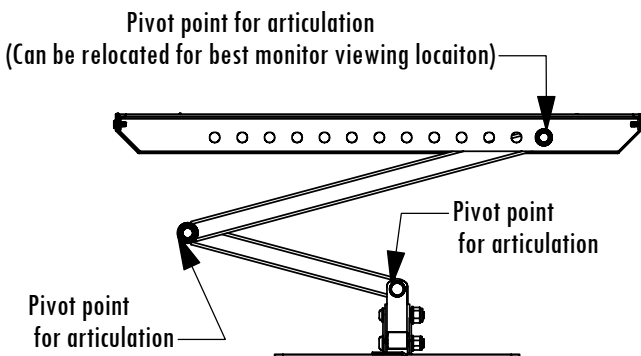
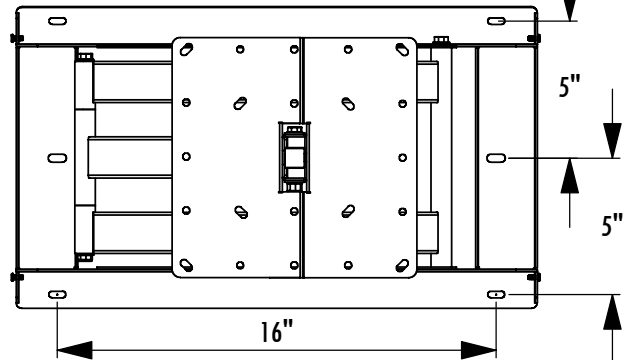
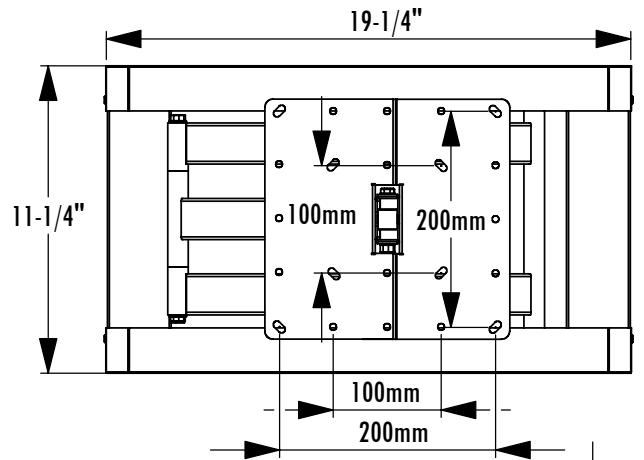
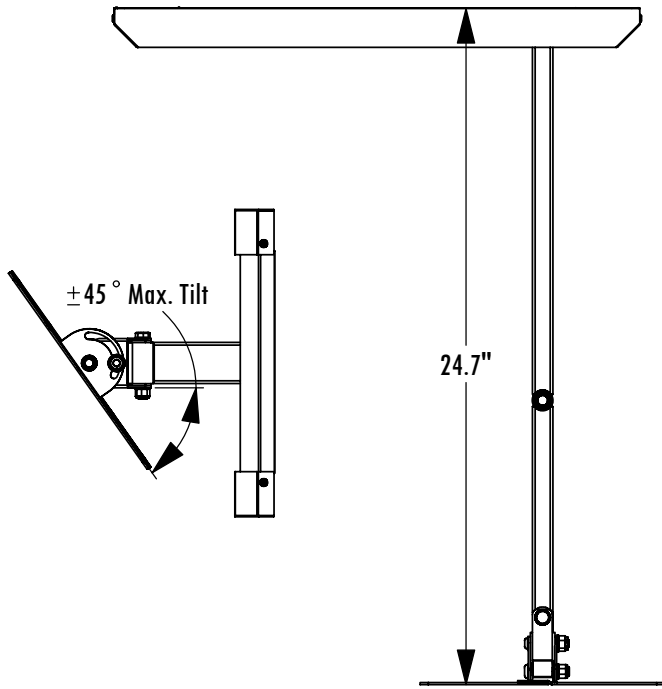
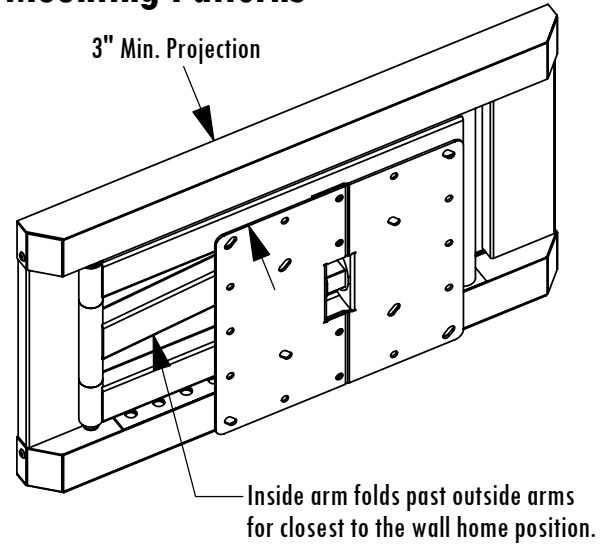


# LC200DS2 Dimensions

**Double Stud Triple Pivot Articulating Wall Mount  
for Flat Panel Screens up to 32"  
with up to 200mm x 200mm VESA® Mounting Patterns**

Model	Load Limit (lbs.)	Swivel	Tilt	Projection from Wall	Ship. Wt. (lbs.)
LC200DS2	75	180°	±45°	3"-11"	18



**1-800-LUCASEY • 1-510-534-1435**

©2006 Lucasey Manufacturing Corporation, Oakland, California

