

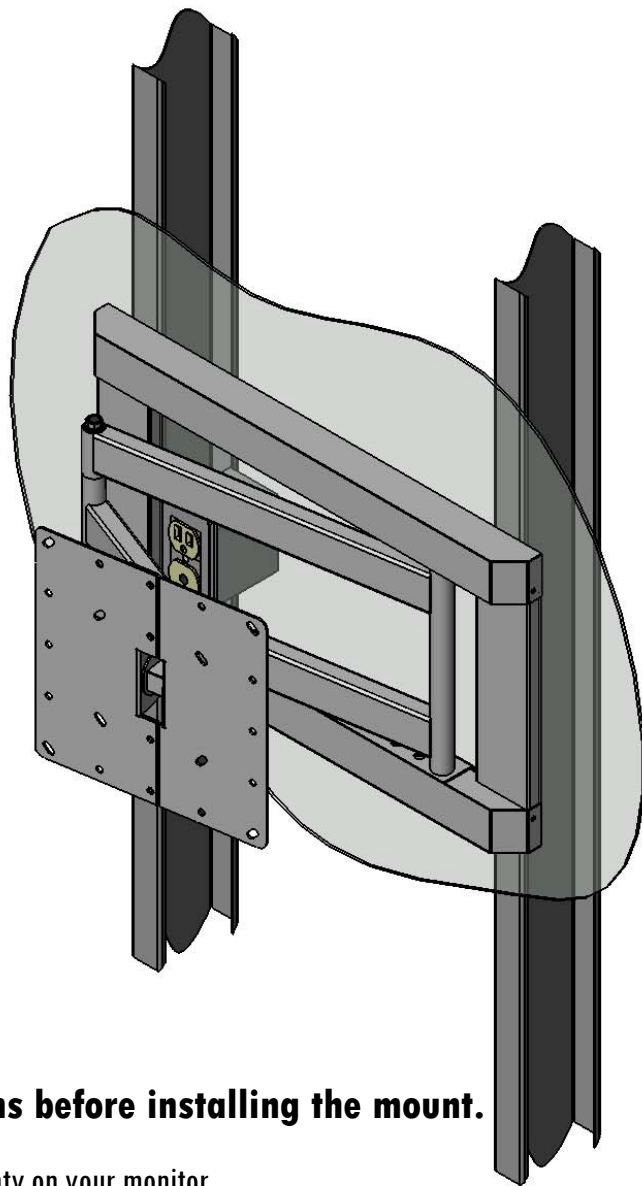
## LC200DS2

### Double Stud Dual Articulating Wall Mount for Flat Panel Screens up to 32" with up to 200mm x 200mm VESA® Mounting Patterns

Multi-position triple pivoting arms allows you to position the monitor in hard to reach areas. Use the LC200DS2 with flat screens up to 75 Pounds. Ideal for concealing cord connections in the wall behind the flat screen. Designed to mount to structures with 16"  $\square$  wall studs. The monitor can be pushed into or pulled away from the wall as needed. The dual pivot points and relocatable wall arm position allow for flexibility in monitor placement. The viewing angle can be adjusted  $\pm 45^\circ$  for the best viewing angle.

Wood lag screws are provided for wood stud installations. Concrete anchor bolts or Toggle bolts for metal studs can be ordered separately using part numbers: WMAAB6 or WMATB6.

Open pattern of wall plate allows access holes to be cut into wall.



### **Important! Please read all warnings and cautions before installing the mount.**

**Caution:** Improper installation of this wall mount may void the warranty on your monitor.

**Caution:** Wall attachment should be performed by qualified installers only, using construction methods prescribed by authorized architects or engineers that comply to all applicable codes and standards.

The maximum weight of each monitor to be installed on the LC200DS2 is 75Lbs. (34.1 Kg.)

Inspect all parts to make sure there is no shipping damage. Do not install if any parts are damaged.

Please call 1-800-LUCASEY or 1-510-534-1435 if you have any questions about this installation.

**WARNING:** Improper installation can result in serious personal injury. It is the responsibility of the installer to ensure that all safety precautions are taken during the installation and that all safety features of the mount are properly utilized.

**WARNING:** The structure to which the mount is attached needs to be capable of supporting five times the stated load limit. Additional reinforcement of the structure to which the mount is attached may be necessary and a certified architect or engineer is needed to make this determination.

**WARNING:** Take into consideration the combined weight of the mount, the monitor and any auxiliary equipment when determining the total load on the wall and mount.

**WARNING:** Do not place body parts between movable parts on the LC200DS2 mount. The mount has pinch points that can cause injury.

**WARNING:** Make sure that the screws used to attach the monitor to the mount are the appropriate size and length. An assortment of monitor attaching screws is provided for convenience. The appropriate screws to use for mounting the monitor are determined by the monitor manufacturer. Failure to use the screws recommended by the monitor manufacturer can result in the monitor dropping from the mount and/or damage to the electronic components inside the monitor.

## Table of Contents

Page 1 ... Title Page & Product Description  
 Page 2 ... Warnings, Item List & Tools Required  
 Page 3 ... Dimensional Drawings  
 Page 4 ... Installation Instructions for LC200DS2  
 Page 5 ... Installation Instructions for Toggle Bolts  
 Page 6 ... Tilt Adjustment, Monitor Removal & Warranty

## Tools Required

1/8" Hex Wrench  
 9/16" Box Wrench or Socket Driver  
 1/2" Box Wrench or Socket Driver  
 7/16" Box Wrench or Socket Driver  
 Phillips Screw Driver

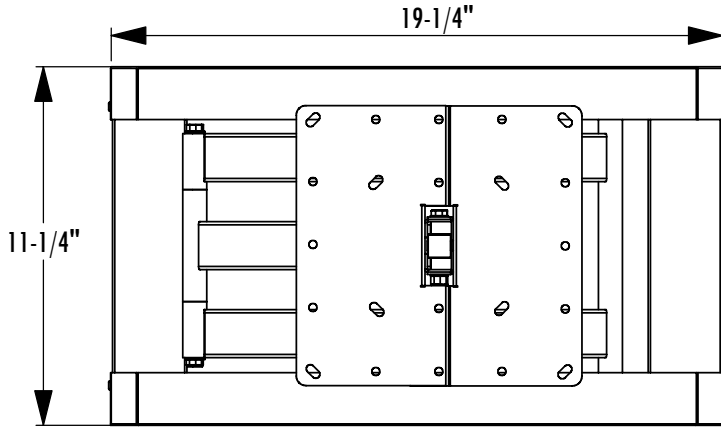
## Item List

- 1 ... LC200DS2 Wall Bracket Assembly
- 1 ... LC200DS2 Double Action Wall Arm
- 1 ... LC200DS2 Tilt Assembly with VESA® Mounting Plate
- 2 ... Top and Bottom Covers for Wall Bracket Assembly
- 2 ... Side Covers for Wall Bracket Assembly
- 1 ... 3/8-16 x 9" Flanged Head Hex Bolt
- 4 ... 3/8" Belleville Washers
- 1 ... 3/8-16 Nylock Nut
- 1 ... 5/16-18 x 2" Hex Button Head Screw
- 1 ... 5/16-18 x 2-1/4" Hex Head Bolt
- 3 ... 5/16" Flat Washers
- 2 ... 5/16" Belleville Washers
- 2 ... 5/16-18 Nylock Nuts
- 1 ... 1/4-20 x 2" Hex Button Head Screw
- 1 ... 1/4" Flat Washer
- 2 ... 1/4" Belleville Washers
- 4 ... #8-32 x 3/8" Self Tapping Phillips Screws
- 6 ... #14 x 2-1/2" Lag Screws

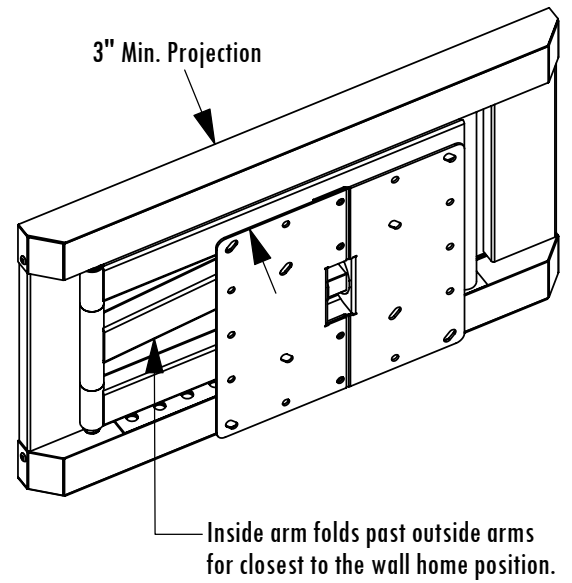
## Monitor Attaching Screw Assortment

- 6 ... 4mm x 25mm Set Screws
- 12 ... 4mm Hex Nuts
- 6 ... 5mm x 30mm Set Screws
- 12 ... 5mm Hex Nuts
- 6 ... 6mm x 30mm Set Screws
- 12 ... 6mm Hex Nuts
- 6 ... 4mm x 12mm Phillips Screws
- 12 ... 5mm Flat Washers
- 6 ... 5mm x 12mm Phillips Screws
- 12 ... 1/4" Flat Washers
- 6 ... 6mm x 12mm Phillips Screws

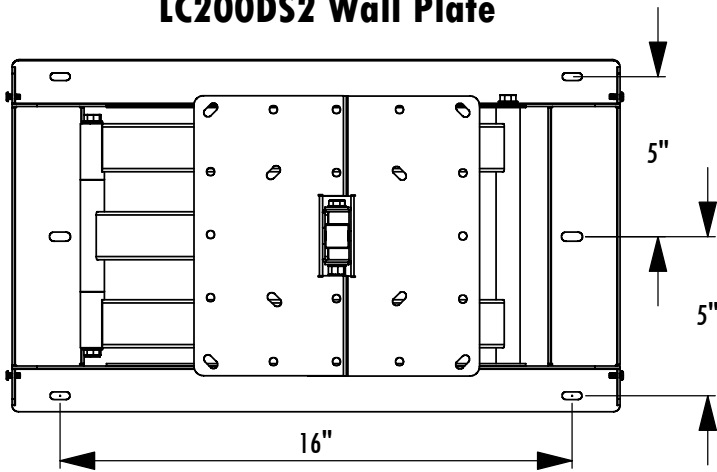
### LC200DS2 Front View



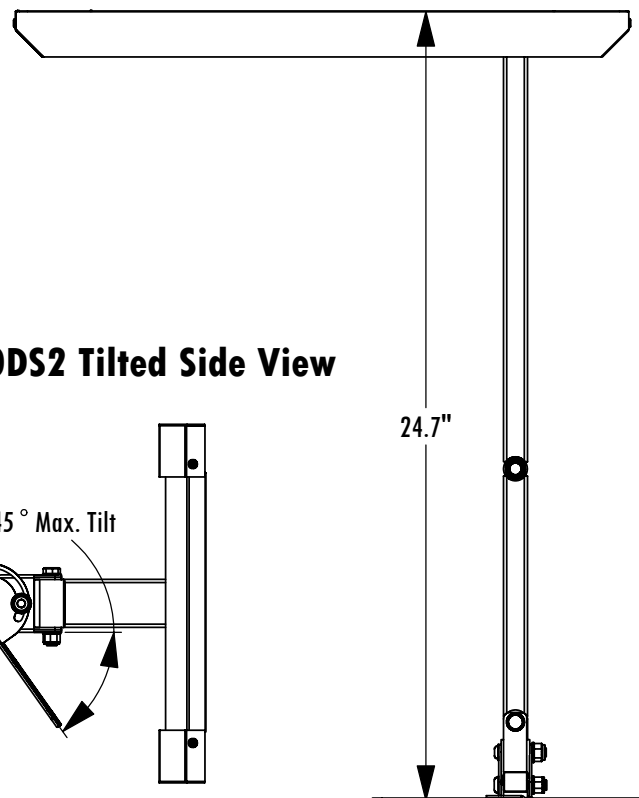
### LC200DS2 Fully Collapsed Position



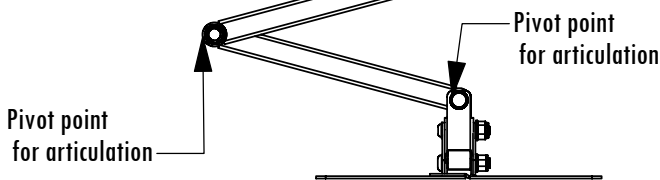
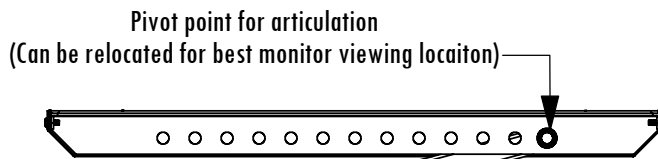
### LC200DS2 Wall Plate



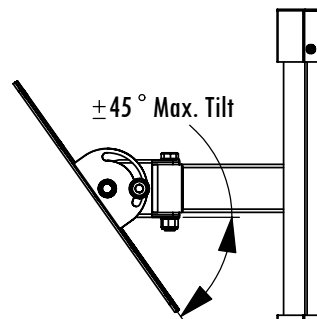
### LC200DS2 Top View Straight



### LC200DS2 Top View Showing Pivots



### LC200DS2 Tilted Side View



### Wall Bracket Mounting

Wood Lag Screws are provided for 16" on center wood stud installations. If you are installing onto metal studs follow the toggle bolt instructions on page 5. If installing into concrete, use our WMAAB6, concrete anchor bolt kit. See <http://www.lucasey.com> for details and drawings of all available mount accessories.

1. Determine the proper height and viewing location for the monitor taking into consideration the proper ceiling and head clearance for the monitor being mounted. Also, consider where the monitor pivot point location will be placed and the final desired viewing angle for the monitor.
2. Find the location of the center of two wood studs 16" apart using a stud finder. Using the LC200DS2 Wall Bracket as a template, mark the location for the six Wood Lag Screws.
3. Using a 1/8" Drill bit, drill the six pilot holes 2-3/4" deep at the marked locations on the wall.
4. Attach the Wall Bracket to the wall using the provided Wood Lag Screws or Toggle Bolt Machine Screws. Make sure all the screws are tight before proceeding with the remainder of the installation.

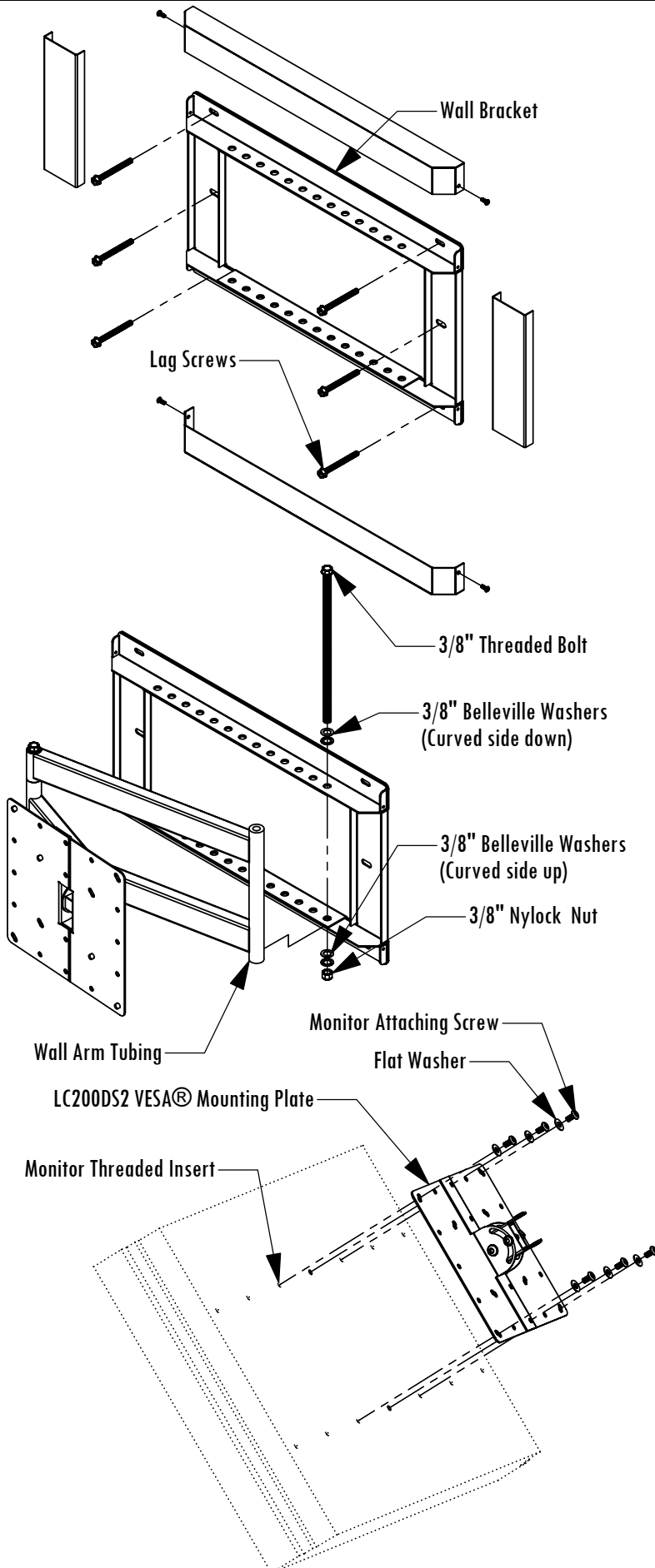
### Wall Arm Attachment

1. Using the pivot position determined from step 1 in mounting the Wall Bracket place the Wall Arm in the proper pivot hole position.
2. Insert the 3/8" Threaded Bolt through the Wall Bracket and Wall Arm Tubing.
3. Secure the Wall Arm using the 3/8" Spacer, 3/8" Belleville Washers and Nylock Nut as shown.
4. Adjust the tension of the 3/8" Nylock Jam Nut to keep the monitor from swinging unintentionally.

### Monitor Attachment

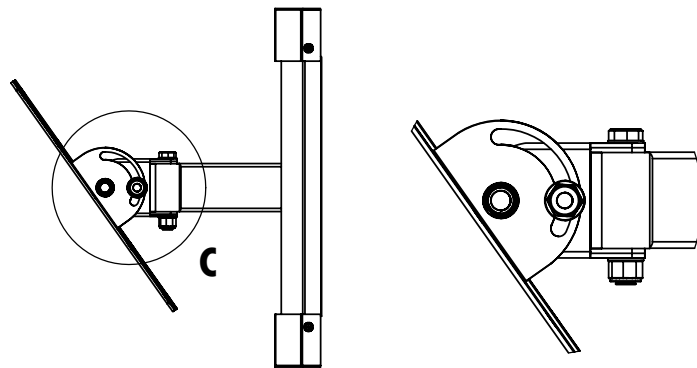
Determine which type of monitor attaching hardware is required for the monitor as specified by the monitor manufacturer. Various sizes of monitor attaching screws are provided for convenience.

1. Use fasteners as specified by the monitor manufacturer to attach the monitor directly to the LC200DS2 VESA® Mounting Plate.
2. Ensure that the monitor attaching hardware is securely fastened and tight and that none of the threaded inserts are damaged in any way.



Protected under one or more of these U.S. Patent numbers: 3,291,432; 3,159,942; 3,724,798; DES:270,689; 4,613,109; 4,878,645; 4,852,842; DES:309,5624; 973,023; 5,169,114; 5,255,884; 5,310,159; 5,522,576; 5,621,614; Re:35,677; DES:398,834; 5,941,492; 5,944,068; 6,060,661; 6,102,398; 6,158,704; 6,454,116; 6,761,276; 6,816,425; 6,816,425

## LC200DS2 Tilted Side View



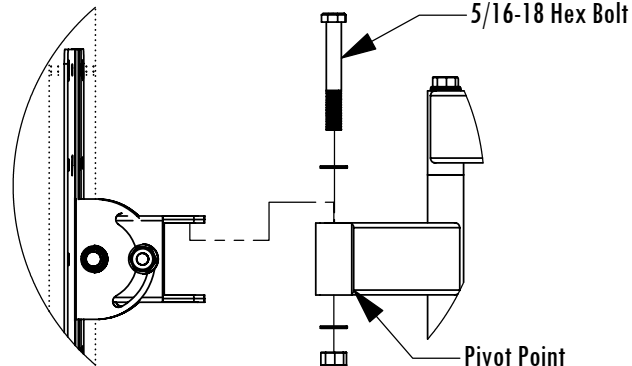
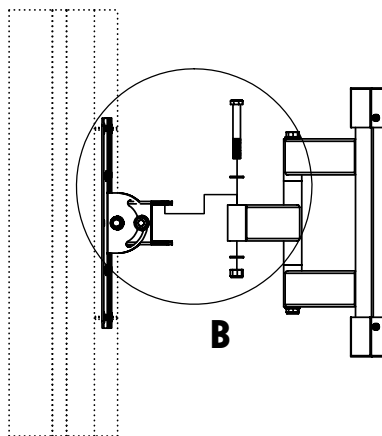
**Detail A**

### Monitor Tilt Adjustment

1. Carefully loosen, but do not remove, the Tilt Adjustment Screw. Do not loosen more than is needed to make the monitor moveable. See Detail A.
2. Slide the monitor into the appropriate viewing angle  $\pm 45^\circ$ .
3. Tighten the Tilt Adjustment Screw and make sure the monitor can not be moved.

### Monitor Removal

1. With one person holding the monitor in place, have a second person remove the 5/16-18 Hex Bolt from the mount Pivot Point.
2. Carefully lower the monitor to the ground and remove the mounting plate from the monitor.



**Detail B**

## LIMITED WARRANTY

LUCASEY MANUFACTURING CORPORATION MAKES NO WARRANTY OF ANY KIND, EXPRESS OR IMPLIED except that the goods sold under this agreement shall be free of defects in materials and workmanship for a period of one year from the user's date of purchase. User assumes all risk and liability resulting from the use of the goods, whether used singly or in combination with other goods. Lucasey Manufacturing Corporation neither assumes nor authorizes any person to assume for it any other liability in connection with the sale or use of the goods sold and there are no oral agreements or warranties collateral to or affecting this limited warranty. Lucasey Manufacturing Corporation will repair or replace defective parts or equipment within one year of the date of purchase, at its option, provided the part or equipment is returned pre-paid to Lucasey Manufacturing Corporation's plant. The repaired or replaced part shall be shipped to the user, FOB Lucasey Manufacturing Corporation's plant. NO allowance for outside labor charges are implied within the terms of this limited warranty. Under no circumstances will Lucasey Manufacturing Corporation be responsible for special, indirect or consequential damages. The remedies set forth in this Limited Warranty are exclusive and the liability of Lucasey Manufacturing Corporation with respect to any contract of sale or anything done in connection therewith, whether in contract, in tort, under any warranty or otherwise shall not, except as expressly provided herein, exceed the price of the equipment or part on which such liability is based. Any damage caused by the improper use, operation beyond capacity, substitution of parts or equipment not approved by Lucasey Manufacturing Corporation, improper packaging, failure to observe installation or other instructions, transit, or repair by one other than Lucasey Manufacturing Corporation, will not be covered by and shall void this Limited Warranty.