

32" CLASS (31.5" DIAGONAL)
26" CLASS (26.0" DIAGONAL)
22" CLASS (21.9" DIAGONAL)

32LG3DDH
26LG3DDH
22LG3DDH

LCD TV

Hospital Grade LCD Widescreen

HDTV with HD-PPV Capability



DESIGNED SPECIFICALLY FOR THE HEALTHCARE INDUSTRY

UL HOSPITAL GRADE LISTED
Built-in Pillow Speaker Port
Built-in Card Slot (MPI™ Interface)
Rear Speaker Disable Switch

IMPROVED! EXPANDED PILLOW SPEAKER COMPATIBILITY
Supports multiple codes (Zenith, Philips, RCA)

NEW! EXPRESS SCRIPT
Easy to use, 7 Step Installer
Menu Setup Wizard

NEW! MPEG-2/MPEG-4 H.264 DECODING

NEW! SPLASH IMAGE LOGO (ON STARTUP)

IMPROVED! CLEAR VOICE II

DYNAMIC POWER SAVINGS

USB CLONABLE

HD VOD PPV DECRYPTION AND
INTERACTIVE SYSTEM CAPABILITY
Integrated Pro:Idiom®

DIGITAL HD-PPV COMPATIBILITY

BUILT-IN ATSC/NTSC/CLEAR QAM TUNER

NATIVE DISPLAY RESOLUTION
1366 x 768 (32", 26" class)
1680 x 1050 (22" class)

DYNAMIC CONTRAST RATIO
12,000:1 (32", 26" class)
3,000:1 (22" class)

STANDARD VESA™ MOUNTING INTERFACE
200mm x 100mm (32", 26" class)
100mm x 100mm (22" class)

2 YEAR LIMITED WARRANTY
(parts and labor)

www.LGolutions.com

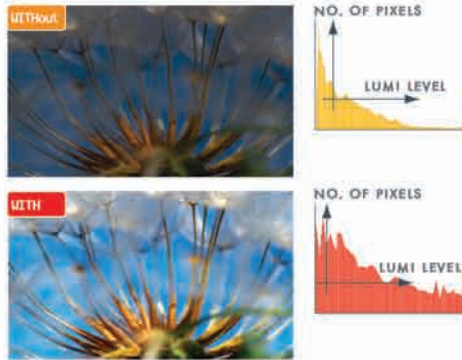
 **LG**
Life's Good

XD ENGINE

SHARPER
BRIGHTER
CLEARER

ULTRA CONTRAST

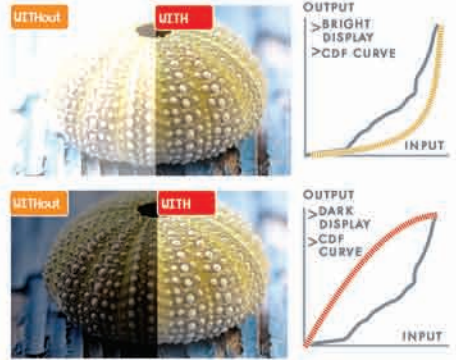
AT A BLAZINGLY FAST 370 MILLION PIXELS PER SECOND, THE PROCESSOR USES A HISTOGRAM ANALYZATION TOOL TO CLARIFY THE IMAGE DATA ACCORDING TO SIGNAL BRIGHTNESS LEVELS.



Dramatization

DYNAMIC BLACK STRETCH

THE MINIMUM BLACK LEVEL OF AN IMAGE IS AUTOMATICALLY DETECTED AND ADJUSTED ACCORDING TO BRIGHTNESS.



Dramatization

SPECIAL FEATURES

32LG3DDH (silver)
26LG3DDH (silver)



22LG3DDH (silver)



Pro:Idiom[®]

DIGITAL RIGHTS MANAGEMENT SYSTEM

The Pro:Idiom system's high-quality security unlocks access to premium content availability to help assure rapid, broad deployment of HDTV and other high value digital content. Pro:Idiom has been designed specifically for industries that use premium HDTV content from cable, satellite or video on demand (VOD) services and as such, could result in lower costs, and reduced maintenance. This system is one of the leading DRM systems embraced by content providers for both of these key programming sources. By using this embedded approach, security is provided and helps eliminate the possibility of customers tampering with or removing needed components.

MPEG-4 TECHNOLOGY (Moving Picture Experts Group)

MPEG-4 decodes and delivers high-definition programming it receives via satellite. The advanced coding system is compatible with national and local HD channels, along with digital HD channels currently launched by DIRECTV. LG built this technology into its LG3DDH series TVs to deliver pure HD without the need for an external box*.

* Certain functions, such as Pay-Per-View, may require a set-top box.

POWER SAVING LEVELS

By selecting lower levels of backlight settings, a reduction in power consumption is achieved resulting in energy savings and lower costs.

32LG3DDH in Vivid Mode

BACKLIGHT SETTING VALUE	BRIGHTNESS (cd/m ²)	* POWER CONSUMPTION (Watts)
Level 100	452 cd/m ²	106 Watts
90	88%**	90%**
80	72%	77%
70	64%	71%
60	58%	65%
50	48%	60%
40	42%	55%
30	35%	50%
20	28%	45%
10	22%	39%
1	17%	35%

26LG3DDH in Vivid Mode

BACKLIGHT SETTING VALUE	BRIGHTNESS (cd/m ²)	* POWER CONSUMPTION (Watts)
Level 100	430 (cd/m ²)	79 W
90	86%**	90%**
80	77%	83%
70	69%	77%
60	61%	71%
50	53%	65%
40	45%	60%
30	38%	54%
20	29%	48%
10	22%	43%
1	16%	38%

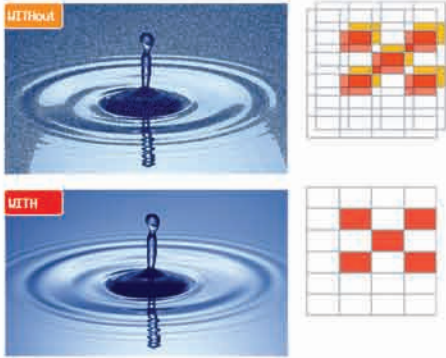
22LG3DDH in Vivid Mode

BACKLIGHT SETTING VALUE	BRIGHTNESS (cd/m ²)	* POWER CONSUMPTION (Watts)
Level 100	239 cd/m ²	47 Watts
90	88%**	95%**
80	82%	90%
70	75%	85%
60	67%	81%
50	59%	76%
40	51%	71%
30	44%	66%
20	35%	60%
10	26%	55%
1	19%	51%

* Power consumption was measured using IEC62087 dynamic broadcast - content video signal
** All percentages listed are percentages based off of level 100

CLEAR SCREEN

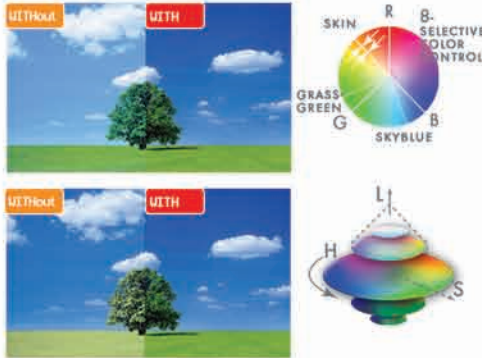
USING THE NOISE FILTER INSIDE THE XD ENGINE CHIP, THE IMAGE IS ANALYZED FOR TEMPORAL AND SPATIAL INFORMATION TO REDUCE MPEG NOISE.



Dramatization

ADVANCED VIVID COLOR

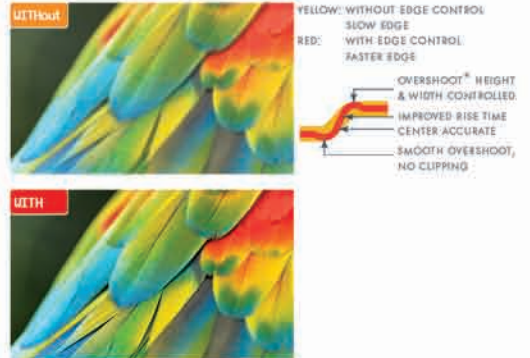
COLORS THAT ARE SENSITIVE TO THE HUMAN EYE ARE OPTIMIZED TO THE NEAREST TRUE COLOR BY THE SELECTIVE COLOR CONTROL.



Dramatization

INTELLIGENT EDGE CONTROL

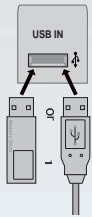
EDGE LINES ARE EMPHASIZED BY IMPROVING THE TRANSITION FROM THE BACKGROUND TO THE MAIN OBJECT.



Dramatization

CLONING OPTIONS

USB CLONING



TLL-1100A TVLink-Loader



By using the optional handheld, rechargeable TVLink-Loader, the installer can "clone" the Commercial Settings from one TV and then transfer this information quickly to many other TVs that have this feature.

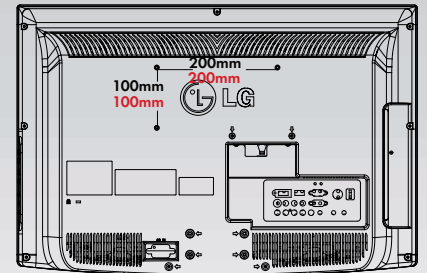
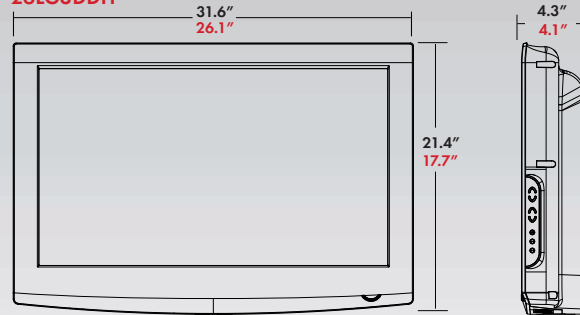
LT2002 CLONING PROGRAMMER REMOTE QUICKSET II CLONE®



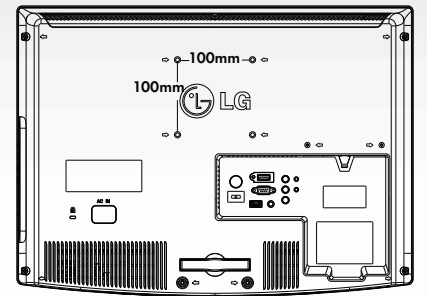
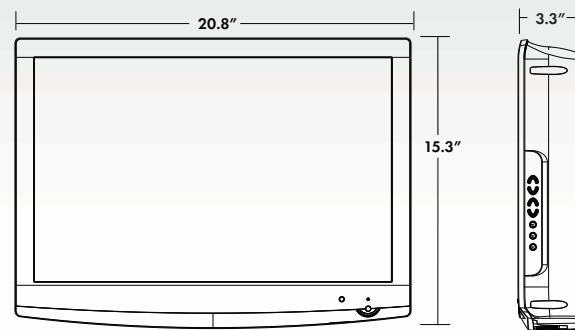
The optional LT2002 allows for custom setup and programming information to be quickly copied from a "master" LG or Zenith brand LCD, Plasma, or CRT TV (with the MPI input) into an unlimited number of identical models. This saves the installers hours of time duplicating the hotel TV settings, such as minimum volume, maximum volume, start up channel, channel mapping, etc.

DIMENSIONS

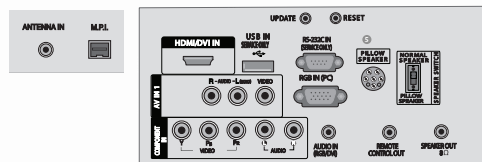
32LG3DDH 26LG3DDH



22LG3DDH



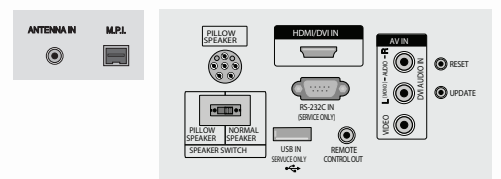
26LG3DDH/32LG3DDH REAR



SIDE



22LG3DDH REAR



FRONT

32LG3DDH
26LG3DDH
22LG3DDH

32" CLASS (31.5" DIAGONAL)
26" CLASS (26.0" DIAGONAL)
22" CLASS (21.9" DIAGONAL)

SPECIFICATIONS

DISPLAY

LCD Panel Type	22", 26", 32" class
Display Area	21.9", 26.0", 31.5" diagonal
Aspect Ratio	16:9
Native Resolution	1680 x 1050 (22"), 1366 x 768 (26", 32")
Pixels (HxVx3)	5,292,000 (22"), 3,147,264 (26", 32")
Brightness	300 cd/m ² (22"), 450 cd/m ² (26", 32")
Dynamic Contrast Ratio	3,000:1 (22"), 12,000:1 (26", 32")
Contrast Ratio	1000:1 (22"), 3,000:1 (26", 32")
Viewing Angle (Horizontal/Vertical)	160°/160° (22"), 178°/178° (26", 32")
Color Depth	8bit (16.7M)
Lamp Life	50,000 hours (approx.)
Response Time	5ms (22"), 6ms (26", 32")

MAIN SYSTEM

MPEG Decoder	MPEG2/MPEG4 /H.264 Decoding
Maximum Computer Resolution (RGB)	1360 x 768

VIDEO

ATSC/NTSC/QAM Clear Tuner	Yes (Built-in)
ATSC with HD-PPV	Yes (Built-in)
All Format Convertor	Yes (1080p/1080i/720p/480p/480i >1050p) (22") (1080p/1080i/720p/480p/480i > 768p) (26", 32")
Comb Filter	Yes (3D Digital)
Digital Progressive Scan	Yes
Color Temperature	Yes (Cool/Normal/Warm)
Enhanced Video	Yes
Advanced Ghost Canceler	Yes
DITI (Digital Luminance Transient Limiter)	Yes
DCTI (Digital Color Transient Improver)	Yes
Black/Blue Stretcher	Yes
3:2 Pull-Down (film mode)	Yes
Aspect Ratio	5 Modes (16:9/Just Scan/Set By Program/4:3/Zoom)
Picture Control	Backlight/Contrast/Brightness/Sharp/Color/Tint/ Advanced
Noise Reduction	Yes
XD Engine	Yes
EZ Picture	6 Modes (Vivid/Standard/Natural/Cinema/Sport/Game)

AUDIO

# of Speaker	2
Dolby Digital [®] Decoder	Yes
Mono/Stereo/SAP	Yes
Surround System	Infinite Sound
Clear Voice II	Yes
Total Audio Watts (RMS)	2 x 3W (6W) (22"), 2 x 7W (14W) (26"), 2 x 10W (20W) (32")
Bass/Treble/Balance	Yes
EZ SoundRite (Auto Volume Leveler)	Yes
EZ Sound	5 Modes (Standard, Music, Cinema, Sports, Game)
Internal Speaker on/off	Yes

SPECIAL FEATURES

Power saving function	Backlight dimming control
USB Cloning	Yes
Integrated Pro:Idiom	Yes
OSD Type (Menu System)	EZ Menu
Express Script	Yes
Trilingual Menus	Yes (English, French, Spanish)
Commercial Installation Menu	Yes (English only)
TV Link Protocol	TV Link-Commercial (built in)
Discrete IR Codes	Yes
Real Cinema	Yes

Last Source Power-on Recall	Yes
Auto/Manual Clock	Yes
On/Off Timer	Yes
Sleep Timer	Yes
Auto/Manual Programming	Yes
Channel Labeling	Yes
Favorite Channel	No
Closed Caption	Analog/Digital
Mute	Yes
Flashback (Quick View)	Yes
Parental Control/V-Chip	Yes
Function Menu	Yes
Remote	Not Included

JACKS

RF in	1 (NTSC+ATSC tuner)
A/V In	1 (Rear) (22"), 2 (Rear/Side) (26", 32")
S-Video In	No
Component & R/L Audio In	1 (Rear) (except 22")
RGB In (DB15-RGB)	1 (Rear) (except 22")
Audio in (Phone Jack)	1 (Rear: PC) (except 22")
HDMI	1 (Rear)
Speaker Out (Bathroom)	Yes (8 ohm mono 1W Phone Jack) (except 22")
Earphone Jack	Yes (Side) (26", 32"), (Front) (22")
Pillow Speaker Codes	Yes (Zenith/RCA/Philips)
RS-232C (Service Only)	1 (Rear)
IR In/out	1
USB	1 (Cloning and Service)
MPI Slot	1 Slot (Standard Type)

OPTIONAL REMOTES

Installer Remote	124-213-07
Patient Remote	124-213-08
"Clone" Programmers	LT2002, TLL-1100A

REQUIRED CERTIFICATIONS

UL CUL NOM	Yes
UL Hospital Grade	Yes

CABINET

Color	Silver
Power/Standby Indicator	Illuminates red in standby mode/green in on mode
Unit Dimensions (WxHxD)	31.6" x 21.4" x 4.3" (32") 26.1" x 17.6" x 4.1" (26") 20.8" x 15.3" x 3.3" (22")
Unit Weight	26.2 lbs (32") 20.95 lbs (26") 13.54 lbs (22")
Shipping Dimensions (WxHxD)	38.7" x 26.0" x 7.4" (32") 32.4" x 21.5" x 8.1" (26") 27.28" x 19.0" x 6.3" (22")
Shipping Weight	36.8 lbs (32") 26.0 lbs (26") 18.5 lbs (22")
Invisible Speakers	Yes (Built-in)
VESA [™] Standard Mount Interface	200mm x 100mm, M4 screws, (26", 32") 100mm x 100mm, M4 screws, (22")
UL Hospital Grade Power Cord	Yes
Stand	Not included

POWER

Dynamic/Static Power Savings	Yes
Power Source	110V 50/60Hz
Power Consumption (max.) with Power Saving Modes Disabled	60W (22"), 100W (26"), 135W (32")
Power Standby-by Mode (max.)	2.0W (26", 32"), 2.5W (22")

SERVICE/LIMITED WARRANTY

UPC CODE	
32LG3DDH	7 19192 90158 2
26LG3DDH	7 19192 90157 5
22LG3DDH	7 19192 90156 8

www.LG solutions.com



LG
Life's Good

LG Electronics U.S.A., Inc.
Business Solutions Division
2000 Millbrook Drive
Lincolnshire, IL 60069

Contact your LG Regional Sales Representative
Healthcare: 877.793.6484

Customer Service: 888.865.3026

SPEC_LG3DDH_041046_PR



All screen images are simulated. Dimensions and weights are approximate. Design, features and specifications subject to change without notice.

© Copyright 2010 LG Electronics USA, Inc. All Rights Reserved. "LG Life's Good" is a registered trademark of LG Corp. XD Engine is a registered trademark of LG Electronics USA, Inc. Pro:Idiom is a registered trademark and MPI is a trademark of Zenith Electronics Corp. Dolby and the double-D symbol are registered trademarks of Dolby Laboratories. SRS and the SRS symbol are registered trademarks of SRS Labs, Inc. in the U.S. and selected foreign countries. TruSurround XT is a trademark of SRS Labs, Inc. VESA is a trademark of Video Electronics Standards Association. All other product and brand names are trademarks or registered trademarks of their respective companies.

Printed in the USA. June 2010