

32LH1DC1

32" LCD Widescreen 16:9 HDTV with HD-PPV Capability
Designed Specifically for the Healthcare Industry

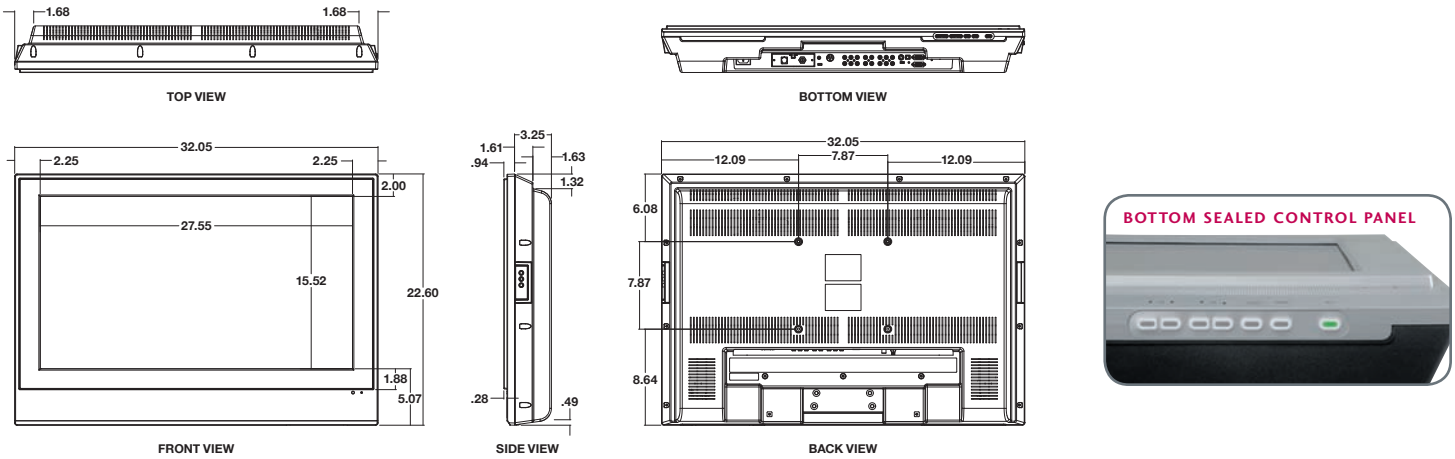


32" LCD HDTV
32LH1DC1



- **32" LCD Widescreen HDTV**
- **UL Hospital Grade Listed**
Built-in Pillow Speaker Port
Built-in Card Slot (MPI™ Interface)
Internal Speaker Disable Switch
MPI™ Interface
- **HD VOD PPV Decryption**
Integrated Pro:Idiom™
- **Digital HD-PPV Compatibility**
- **Built-in ATSC/NTSC/QAM Clear Tuner**
- **1366×768 Resolution**
- **550:1 High Contrast Ratio**
- **500 cd/m² High Brightness**
- **178 Degree Viewing Angle**
Super IPS Technology allows for viewing from almost any angle
- **Hi-Res Component, RGB, HDMI™, S-Video, and AV**
Multiple inputs for DVD players, VCRs, computers, and video game systems





SPECIFICATIONS

PANEL Screen Size 32" Aspect Ratio 16:9 Native Resolution 1366 x 768 Pixels (H x V x 3) 3,147,264 Brightness 500 cd/m ² Contrast Ratio 550:1 Viewing Angle (HxV) 178° x 178° Color Depth 16.7 Million Lamp Life 60,000 Hours (typ.) Response Time 8 ms Super IPS™ Yes		REAR INPUTS CONT'D. DVI/PC Audio In (Mini Jack) Yes RGB In (PC Input) Yes HDMI™ Input Yes S-Video Yes RS-232C Service Only SPDIF Out (Optical) Yes MPI™ (RJ11) Yes Pillow Speaker Jack Yes		SPECIAL FEATURES CONT'D. Audio Languages English/Spanish/French On/Off Timer Yes Clock Yes Captions Yes Flashback, Captions Yes Auto Off Yes Remote Not included	
VIDEO NTSC Tuner Built-in ATSC/QAM Tuners Built-in ATSC with HD-PPV Built-in All Format Converter Yes 1080i/720p/480p/480i » 768p Comb Filter 3D Digital Digital Progressive Scan Yes Color Temperature Cool, Normal, Warm Enhanced Video Yes Advanced Ghost Canceler Yes 3:2 Pull Down (Film Mode) Yes Aspect Ratio Control Yes Picture Control Mild, Dynamic, Manual, Standard Noise Reduction Yes		REQUIRED CERTIFICATIONS UL, C-UL, FCC Yes UL Hospital Grade Yes		OPTIONAL REMOTES Installer Remote 124-213-07 Patient Remote 124-213-08 Quickset II "Clone" Programmer LT2002	
REAR INPUTS RF In ATSC/NTSC/QAM Clear Tuner High Resolution Component 2 Composite Video Inputs 2 Audio Inputs 4		AUDIO Auto Volume Leveler Yes Audio Power 7W (3.5W x 2) Dolby Digital Decoder™ Yes Mono/Stereo/SAP Yes Bass/Treble/Balance Yes Internal Speaker On/Off Sound Mode Standard, Music, Movie, Sports, News, Manual		CABINET Color Silver Dimensions (W x H x D) 32.05" x 22.60" x 3.25" Packaging (W x H x D) 36.22" x 28.74" x 14.57" Weight 34.17 Lbs. Weight With Packaging 44.75 Lbs. Speakers Built-in VESA™ Standard Mount Interface Yes (200 mm x 200 mm screw spacing) UL Hospital Grade AC Cord Stand Yes Not included	
		SPECIAL FEATURES TV Link Protocol Yes Discrete IR Codes Yes Commercial Installation Menu Yes Last Source Power-on Recall Yes Auto Power Option Yes Channel Edit/Label Yes Menu Languages English/Spanish/French		POWER Power Source 100-240V (50/60Hz) Direct AC Input Power Consumption 145W	
				SERVICE/LIMITED WARRANTY Warranty (Parts/Labor) 1 Year	
				UPC CODE 719192172524	

