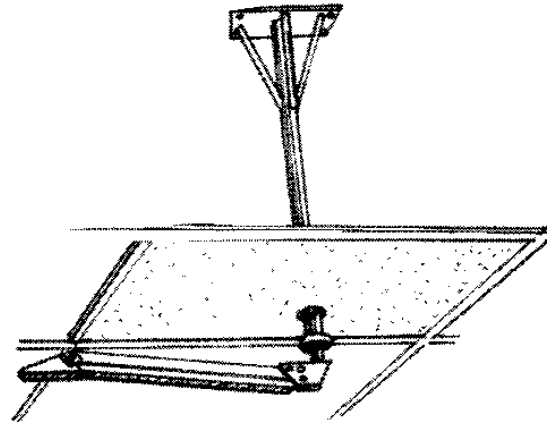


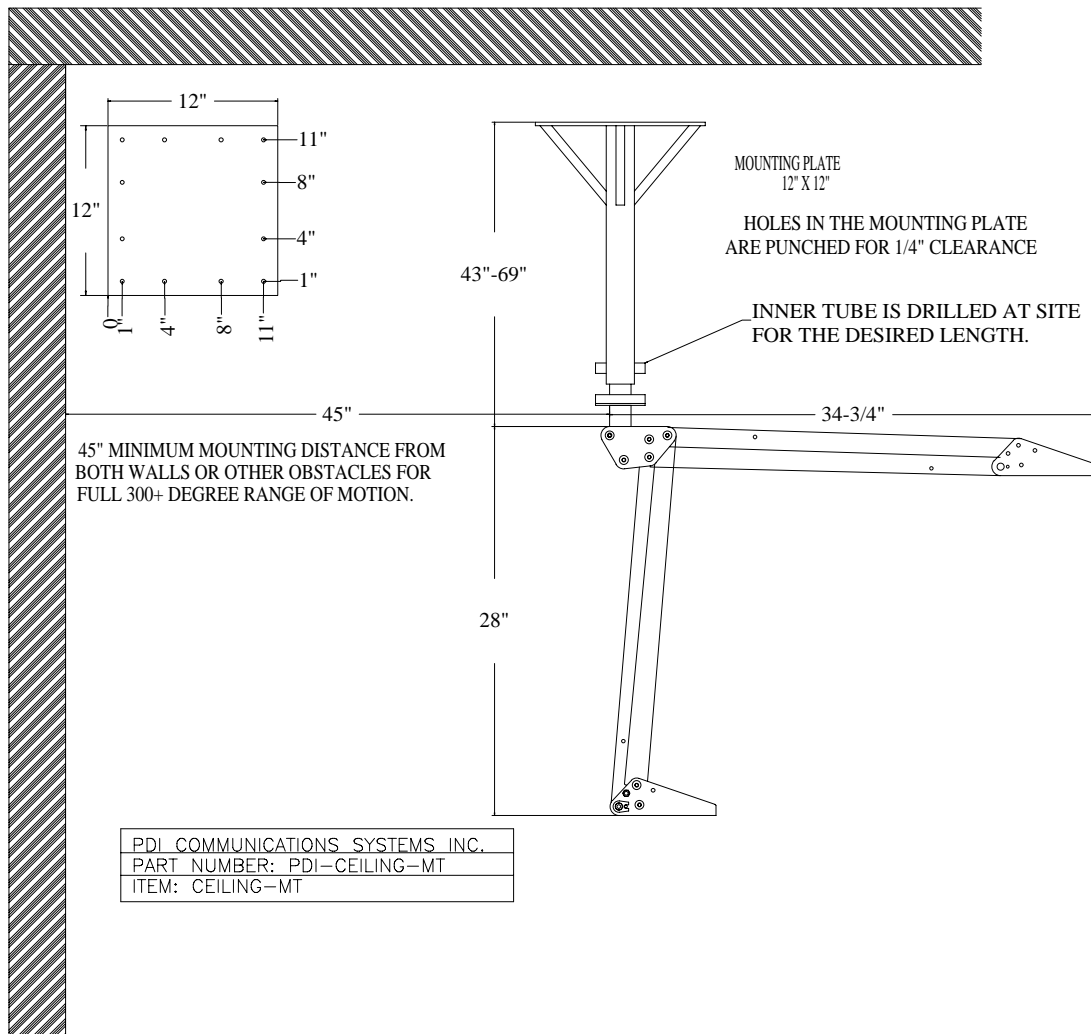
**OVERVIEW**

A complete mounting system for attachment to a solid roofing structure above a suspended tile ceiling. Outer tube mounts to a solid surface, inner tube allows adjustment of height to clear the tile ceiling, and then a special arm section attaches to the bottom of the tube. Arm supports up to 22.5 pounds.



**LOCATE AND MOUNT OUTER TUBE**

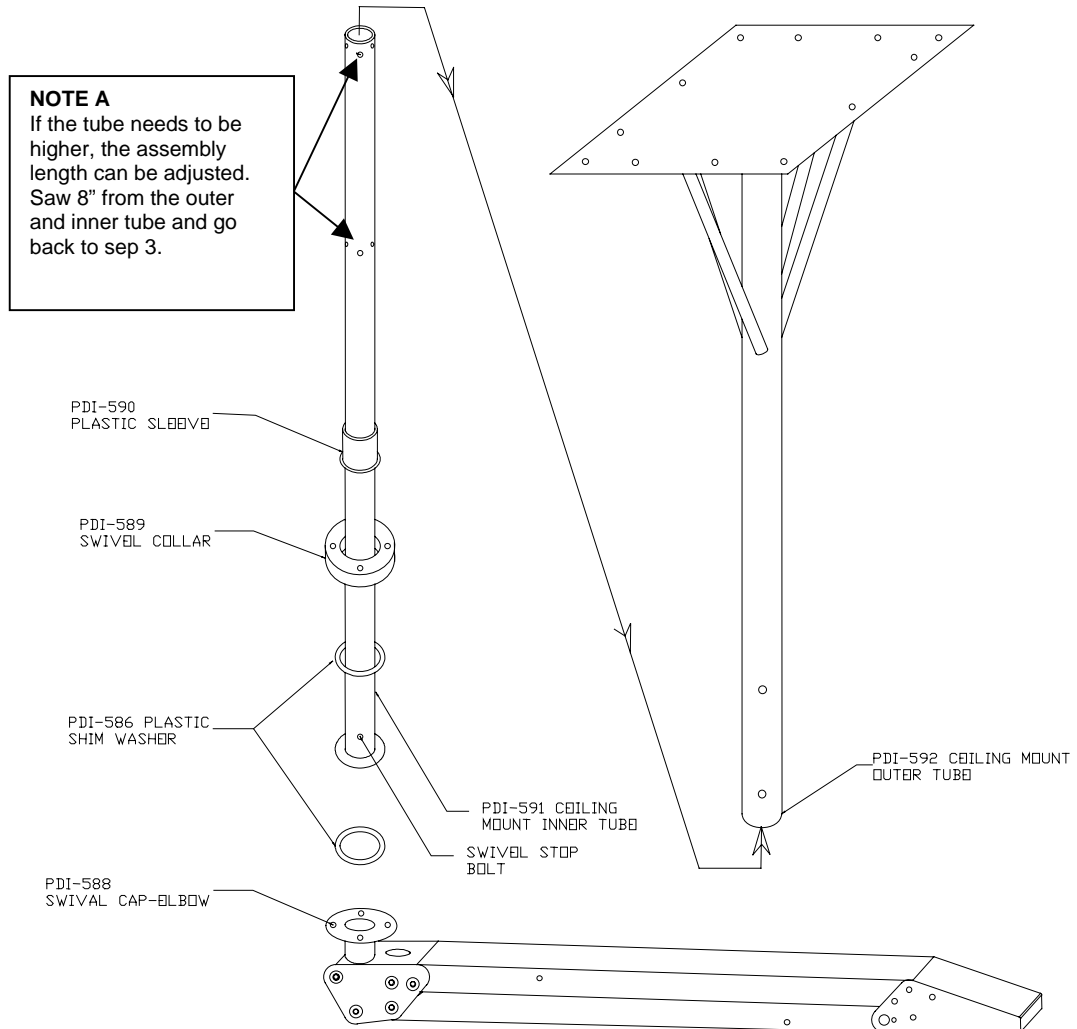
1. Remove the ceiling tile and locate a mounting position above the patient's bed at a minimum distance of 45 inches from walls or other obstacles.
2. Mount the outer tube PDI-592 securely to the ceiling using the twelve mounting holes provided in the plate.



PDI COMMUNICATIONS SYSTEMS INC.
PART NUMBER: PDI-CEILING-MT
ITEM: CEILING-MT

**ADJUST HEIGHT AND DRILL INNER TUBE**

- Slide the inner tube PDI-591 up to the desired height (see note "A"). Push the plastic sleeve PDI-590 until the shoulder is seated in the outer tube. At the cross hole near the bottom of the outer tube, drill through the plastic sleeve and the inner tube from each side. Use a 3/8" diameter drill bit. Slide the 3/8" x 2-1/2" bolt through and tighten nut. Cut hole for tube in ceiling tile and replace tile.
- Drop a fish wire through the cable exit hole located near the base plate of the outer tube. (not shown). The wire should exit the bottom of the tube. Remove the four 1/4-20 socket head bolts from the swivel collar PDI-589. Attach the fish wire to the cable pigtail(s) that exit the arm swivel cap elbow. Being sure to first thread the cable(s) through the plastic shim



- washer PDI-586.

**ATTACH THE ARM SECTION**

- Pull the fish wire through the tube until the cables exit the base plate hole. Hold the plastic shim washer PDI-586 against the bottom of the inner tube PDI-591. Be sure it does not overlap the swivel collar. Hold the arm assembly against the bottom of the inner tube. Thread locking compound LOCTITE® #242 (Blue) must be used on the 1/4-20 socket head bolts. Slide the 1/4-20 socket head bolts through the swivel cap PDI-588 and thread back into the swivel collar PDI-589. Tighten the 1/4-20 socket head bolts to a torque of 10 ft-lbs.

END OF INSTRUCTIONS