

50" CLASS (50.0" DIAGONAL)

50PQ30C

42" CLASS (41.6" DIAGONAL)

42PQ30C

PLASMA TV

Plasma Widescreen



Commercial HDTV



EcoSmart™ - ENERGY SAVINGS
Intelligent Sensor - Automatic
3 Mode Power Saving Levels - Manual



RoHS AND ENERGY STAR® 3.0 COMPLIANT

LIFE SPAN

100,000 hours (approximate)
To half brightness (typical)

INVISIBLE SPEAKER SYSTEM
no visible speaker grilles

BUILT-IN TUNER
ATSC/NTSC/Clear QAM

PUBLIC DISPLAY SETTINGS
Cloning capable with
optional TVLink-Loader, TLL-1100A

NATIVE DISPLAY RESOLUTION
1365 x 768 (50PQ30C)
1024 x 768 (42PQ30C)

IMPROVED! DYNAMIC CONTRAST RATIO
2,000,000:1

HIGH BRIGHTNESS
1500 cd/m²

LG'S EXCLUSIVE XD ENGINE®

ISFccc CALIBRATION READY

600Hz SUB-FIELD DRIVING

USB INPUT FOR PHOTOS, MUSIC, AND VIDEO

3 HDMI™ INPUTS WITH HDCP
(V.1.3 with Deep Color)

HIGH-GLOSS BLACK CABINET
Slim Depth 3.3" (50"), 3.2" (42")
Detachable Swivel (20° / 20°) Stand

2-YEAR LIMITED WARRANTY
(parts/labor)

www.LGcommercial.com

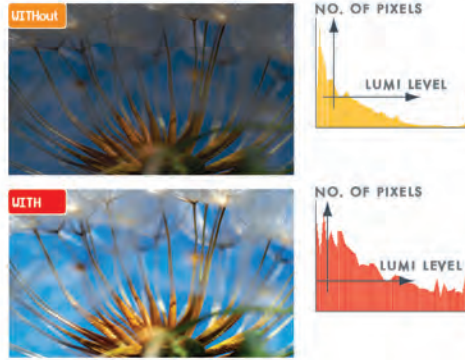


LG
Life's Good

XD ENGINE

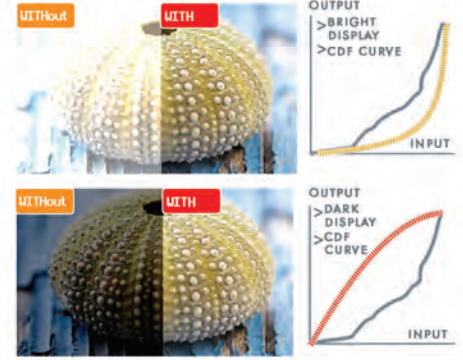
SHARPER
BRIGHTER
CLEARER

ULTRA CONTRAST
AT A BLAZINGLY FAST 370 MILLION PIXELS PER SECOND, THE PROCESSOR USES A HISTOGRAM ANALYZATION TOOL TO CLARIFY THE IMAGE DATA ACCORDING TO SIGNAL BRIGHTNESS LEVELS.



Dramatization

DYNAMIC BLACK STRETCH
THE MINIMUM BLACK LEVEL OF AN IMAGE IS AUTOMATICALLY DETECTED AND ADJUSTED ACCORDING TO BRIGHTNESS.



Dramatization

EcoSmart



ENERGY SAVINGS

INTELLIGENT SENSOR

LG's Intelligent Sensor automatically enhances picture quality which can help save energy and money. Unlike other sensors which can only sense brightness of ambient light, the Intelligent Sensor uses a 12-bit process to evaluate its surroundings for a more detailed adjustment.

THREE MODE POWER SAVING LEVELS

Manually select your choice for the brightness level for the television. By selecting Minimum, Medium, or Maximum, the power consumption will be reduced and an increase in energy savings can be achieved.

50PQ30C in Vivid Mode

POWER SAVING MODE	POWER CONSUMPTION*	ENERGY SAVINGS**
Off	280 Wh	0%
Minimum	235.2 Wh	16%
Medium	190.4 Wh	32%
Maximum	145.6 Wh	48%

42PQ30C in Standard Mode

POWER SAVING MODE	POWER CONSUMPTION*	ENERGY SAVINGS**
Off	185 Wh	0%
Minimum	155.4 Wh	16%
Medium	125.8 Wh	32%
Maximum	96.2 Wh	48%

NOTES: *Power consumption was measured with video signal - IEC62087 dynamic broadcast. **Percentages listed are percentages based off of Power Consumption in the Off mode.

600Hz

The PQ30C Series uses 600Hz Sub-field Driving which reacts very quickly to the changes on screen making fast action motion clearer.



SUB-FIELD 1 SUB-FIELD 2 SUB-FIELD 3 SUB-FIELD 4 SUB-FIELD 5 SUB-FIELD 6 SUB-FIELD 7 SUB-FIELD 8 SUB-FIELD 9 SUB-FIELD 10

Public Display Settings

Public Display Mode	No
Start Channel	No
Ch. Type	TV
Major	2
Minor	0
Minimum Volume	0
Maximum Volume	100
Start Volume	No
Level	20
Power Management	No
Setting	1
Key Management	0
Factory Reset	0
Aspect Ratio	0

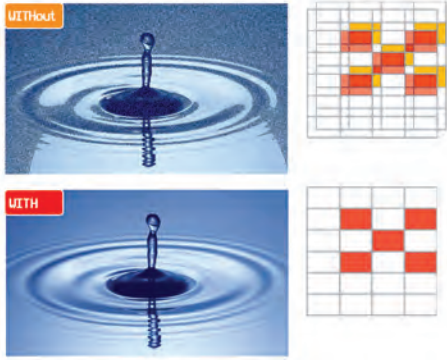
PUBLIC DISPLAY SETTINGS

CLONING CAPABLE with optional TVLink-Loader, TLL-1100A

When used in public areas, these HDTVs can be easily programmed by the installer to have the TV turn on at a specified channel/volume level, set the minimum/maximum volume, lock out the control panel/remote, set the aspect ratio, and return to a factory reset. By using Power Management, these displays can be programmed to turn off if there has been no activity (remote or control panel buttons) for a preset time (1-7) hours.

CLEAR SCREEN

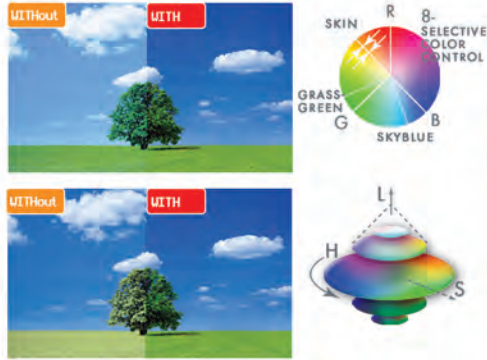
USING THE NOISE FILTER INSIDE THE XD ENGINE CHIP, THE IMAGE IS ANALYZED FOR TEMPORAL AND SPATIAL INFORMATION TO REDUCE MPEG NOISE.



Dramatization

ADVANCED VIVID COLOR

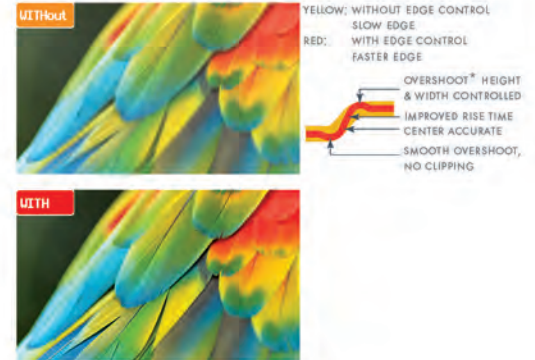
COLORS THAT ARE SENSITIVE TO THE HUMAN EYE ARE OPTIMIZED TO THE NEAREST TRUE COLOR BY THE SELECTIVE COLOR CONTROL.



Dramatization

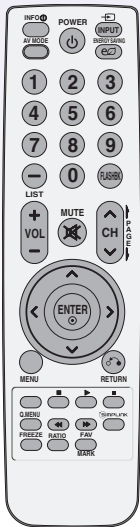
INTELLIGENT EDGE CONTROL

EDGE LINES ARE EMPHASIZED BY IMPROVING THE TRANSITION FROM THE BACKGROUND TO THE MAIN OBJECT.



Dramatization

REMOTE CONTROL



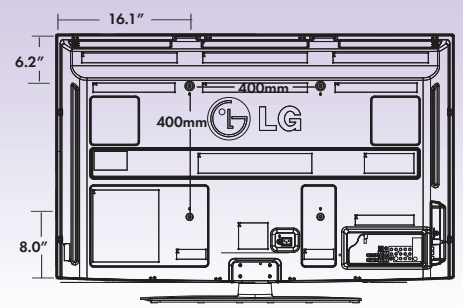
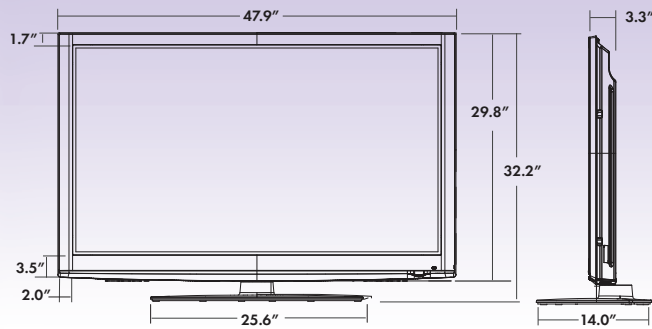
TLL-1100A TVLink-Loader (optional)

By using the handheld, rechargeable TVLink-Loader, the installer can "clone" the Public Display Settings from one TV and then transfer this information quickly to many other TVs that have this feature.

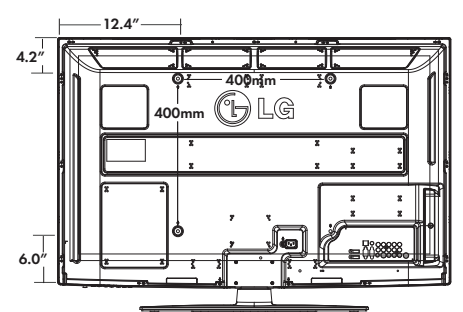
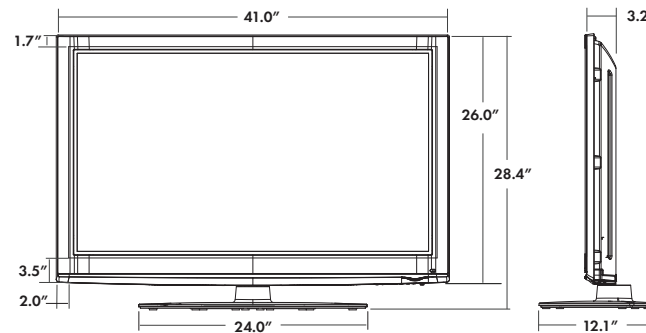


DIMENSIONS

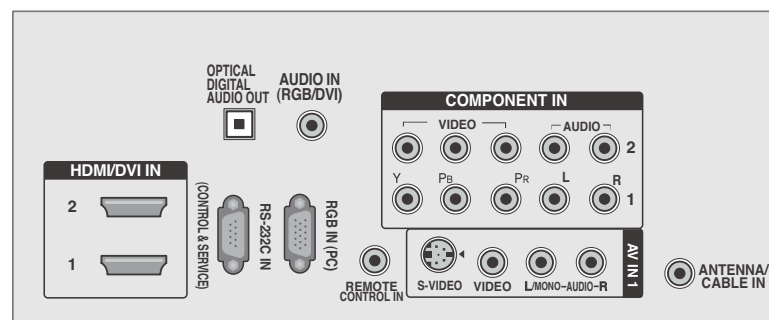
50PQ30C



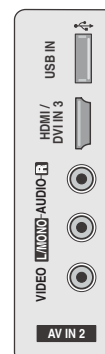
42PQ30C



REAR JACK PANEL



SIDE JACK PANEL



50PQ30C 50" CLASS (50.0" DIAGONAL)

42PQ30C 42" CLASS (41.6" DIAGONAL)

SPECIFICATIONS

PLASMA MODULE

PDP Panel Type	42" (42PQ30C) / 50" (50PQ30C)
Display Area	41.6" (42PQ30C), 50.0" (50PQ30C)
Native Display Resolution	1024x768 (42PQ30C) 1365x768 (50PQ30C)
Dynamic Contrast Ratio	2,000,000:1
Contrast Ratio	30,000:1
Brightness	1,500 cd/m ²
600Hz Sub-Field Driving	Yes, 10 sub-fields per frame
Life Span (approx.)	100,000 hours to half brightness
Filter Type	Anti-reflective screen
Viewing Angle (H/V)	178° / 178°

VIDEO

ATSC/NTSC/Clear QAM Tuner	1 Built-in tuner
Digital Comb Filter	3D
Color Temperature Adjustment	3 Modes
3:2 Pull Down	Yes
Aspect Ratio Adjustment	6 Modes
Picture Preset Modes	7 Modes
XD Engine	Yes
Aspect Ratio	16:9
Pure Black Level	Yes
Black Stretcher (Black Level Enhancer)	Yes
Just Scan (1:1 Pixel matching) (0% overscan)	HDMI 1080p/1080i/720p Component 1080p/1080i/720p RF 1080i/720p
DTV Signal Strength Indicator	Yes (digital)
Color Reproduction	10-bit Chassis Output
Enhanced Noise Reduction	Yes (3D & MPEG)
Picture Reset	Yes
Image Sticking Minimization	White Wash, Orbiter, Color Wash
XD Color	Yes (Active Color Management)
AV Mode (Picture and Sound)	Yes (Cinema, Sports, Game)
ISFccc Calibration Ready	Yes

REAR INPUTS

Antenna/Cable In (RF)	1
HDMI with HDCP (DVI with Adapter)	2 (V.1.3 with Deep Color)
Composite Video & Audio L/R In	1
Component HD/DVD & Audio L/R In	2
RGB In (15-pin female mini D-Sub) - PC	1
PC Audio In	1
RS-232C In (9-pin male D-Sub)	1 (Control/Service)
Remote Control In (IR)	1
S-Video In	1

REAR OUTPUTS

Digital Audio Out (Optical)	1
-----------------------------	---

SIDE INPUTS

Composite Video & Audio L/R In	1
HDMI In	1 (V.1.3 with Deep Color)
USB (2.0) Music, Photo, Video	1 (mp3, JPEG, service)

UPC

42PQ30C	7 19192 17554 9
50PQ30C	7 19192 17555 6

AUDIO

Audio Output Power (THD 10%)	10W + 10W
Invisible Speaker System	Yes (No visible speaker grilles)
Speaker System Details	1 Way 2 Speakers
Surround System Type	SRS TruSurround XT™
Clear Voice II	Yes
Mono/Stereo/Dual (MTS/SAP)	Yes
Sound Selection Mode	5 Modes
Mute	Yes
AVL (Auto Volume Leveler II)	Yes
Bass/Treble/Balance	Yes
Dolby Digital Decoder	Yes

POWER

EcoSmart - Energy Savings	
Intelligent Sensor	Yes (automatic)
3 Mode Power Saving Levels	Yes (manual)
Stand by (stand by)	under 0.2W
Stand by (off mode)	under 0.1W
Power Consumption (typ.)	280 Wh (measured with video signal - IE62087 dynamic broadcast) (50") 185 Wh (measured with video signal - IE62087 dynamic broadcast) (42")
Power Requirement	AC 100~240V, 50/60Hz

SPECIAL FEATURES

Public Display Settings	Yes (9 settings)
SimpLink™ (HDMI CEC)	Yes
Custom Input Labels	Yes
Trilingual Menus	English, Spanish, French
EZ Menus	Yes
Auto Channel Programming	Yes
AV Input Navigation	Yes (EZ input toggle)
Quick Setup Guide	Yes
Favorite Channel Programming	Yes
Channel Add/Delete/Edit	Yes
Quick View(Flashback)	Yes
Closed Caption	Yes
Parental Control w/V-Chip	Yes
On/Off Timer	Yes
Sleep Timer	Yes (10 min. to 240 min.)
Auto Off (when no video is present)	Yes (After 10 minutes)
Auto Sleep	Yes
Auto and Manual Clock	Yes
Key Lock	Yes
1080p Source Input	HDMI 60p/30p/24p Component 60p/30p/24p RGB 60p

CABINET

	42PQ30C	50PQ30C
Dimensions	with Stand (W×H×D) 41.0" x 28.4" x 12.1" without Stand (W×H×D) 41.0" x 26.0" x 3.2" packaging (W×H×D) 51.7" x 29.4" x 9.5"	47.9" x 32.2" x 14.0" 47.9" x 29.8" x 3.3" 58.9" x 34.7" x 11.3"
Weight	with Stand 54.6 lbs (24.8 Kg) without Stand 50.0 lbs (22.7 Kg) with packaging 65.9 lbs (29.9 Kg)	74.3 lbs (33.7 Kg) 68.8 lbs (31.2 Kg) 87.9 lbs (39.9 Kg)

Cabinet Style	Table Top
Table Stand Included	Detachable Swivel (20°/20°)
Cabinet Color	High Gloss Black
Stand Color	High Gloss Black
VESA™ Compatible	400mm × 400mm, M6
Power Button	Red (Stand-by); Blue (On)
Cable Management Clip	Yes

OPERATING ENVIRONMENTS

Storage Temperature Range	-4° F to 140° F (-20° C to 60° C)
Storage Humidity Range	under 85%
Altitude	Up to 9,514 feet (2,900m)
Operating Temperature	32° F to 104° F (0° C to 40° C)
Operating Humidity Range	under 80%

COMPATIBLE FORMATS

HDTV, NTSC, VGA, SVGA, XGA, WXGA	Yes
Max Computer Resolution (RGB)	1360 x 768 (WXGA)

REQUIRED APPROVALS

UL, c-UL, FCC	Yes
RoHS Compliant	Yes
ENERGY STAR 3.0 Compliant	Yes

SERVICE/LIMITED WARRANTY

Limited Warranty	2 Years (Parts/Labor)
------------------	-----------------------

SUPPLIED ACCESSORIES

Owners Manual, Power Cord (6 foot), LG Universal Remote Control

www.LGcommercial.com



LG
Life's Good

LG Electronics U.S.A., Inc.
Commercial Products Division
2000 Millbrook Drive
Lincolnshire, IL 60069

Customer Service: 888.865.3026

Contact your LG Regional Sales Representative:
Enterprise: 800.897.8788
Hospitality: 800.228.1236
Channel: 800.897.8871
E-mail: LGcommercial@lge.com

SPEC_PQ30C_030907_P9



All screen images are simulated. Dimensions and weights are approximate. Design, features and specifications subject to change without notice.

© Copyright 2009 LG Electronics USA, Inc. All Rights Reserved. "LG Life's Good" is a registered trademark of LGCorp. Dual XD Engine is a trademark of LGElectronics USA, Inc. VESA is a trademark of Video Electronics Standards Association. Dolby and the double-D symbol are registered trademarks of Dolby Laboratories. SRS and the SRS symbol are registered trademarks of SRS Labs, Inc. in the U.S. and selected foreign countries. TruSurround XT is a trademark of SRS Labs, Inc. ENERGY STAR is a registered trademark of the U.S. Environmental Protection Agency. All other corporate and brand names are trademarks of their respective owners.

Printed in the USA. April 2009