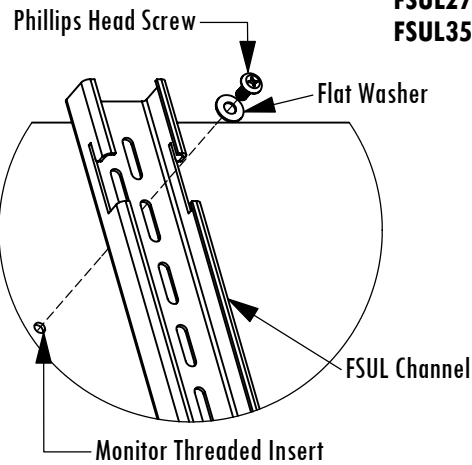
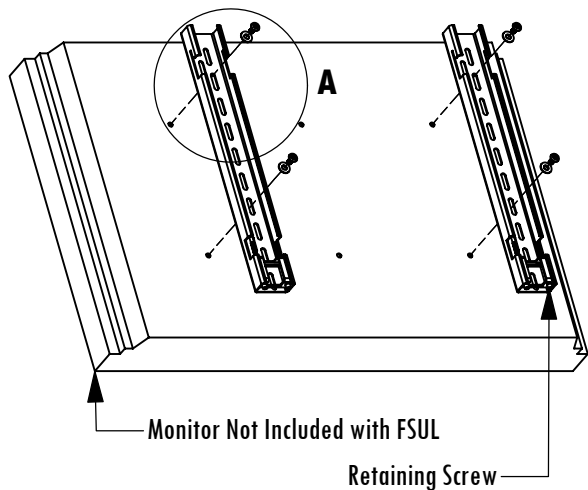


# FSUL Series Installation Instructions

## Flat Back Monitor Attachment



**DETAIL A**

**FSUL2014** for 22" - 32" Flat Panel Monitors with Threaded Inserts up to 20" apart  
**FSUL2720** for 32" - 40" Flat Panel Monitors with Threaded Inserts up to 27" apart  
**FSUL3520** for 40"+ Flat Panel Monitors with Threaded Inserts up to 35" apart

Determine which type of monitor attaching hardware is required for the monitor as specified by the monitor manufacturer. Various sizes of monitor attaching screws are provided for convenience (See the hardware list below) If the monitor's inserts are flat along the back of the monitor, follow the Flat Back Monitor Attachment instructions below. (DETAIL A) If the monitor has recessed inserts, follow the Recessed Insert Monitor Attachment instructions below. (DETAIL B)

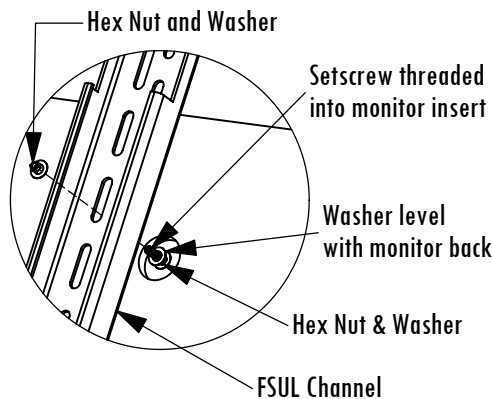
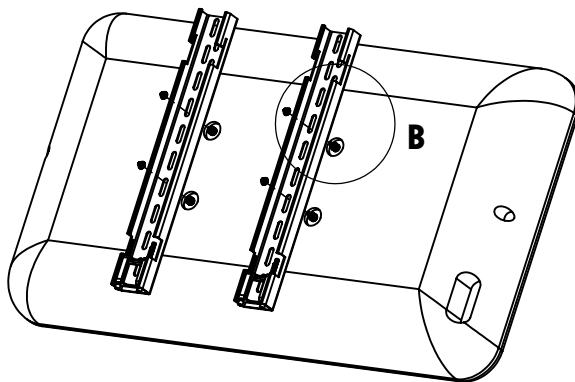
## Flat Back Monitor Attachment

1. Place the FSUL Channels vertically on the threaded inserts with the Retaining Screws at the bottom. Align four available holes in the channels with the monitor's inserts. The tops of the FSUL Channels must be even.
2. Secure to the monitor with a washer and a Phillips screw in each insert.

## Recessed Insert Monitor Attachment

1. Thread the setscrews at least 1/4" into the threaded inserts. Secure with a nut and washer.
2. Use additional washers as spacers so that the top washer is level with the surface of the back of the monitor. Check that the washers are all the same height to keep the channels level on the mount.
3. Place the FSUL Channels vertically over the setscrews with the Retaining Screws at the bottom. The tops of the channels must be even.
4. Secure to the monitor with a washer and a nut for each setscrew.

## Recessed Insert Monitor Attachment



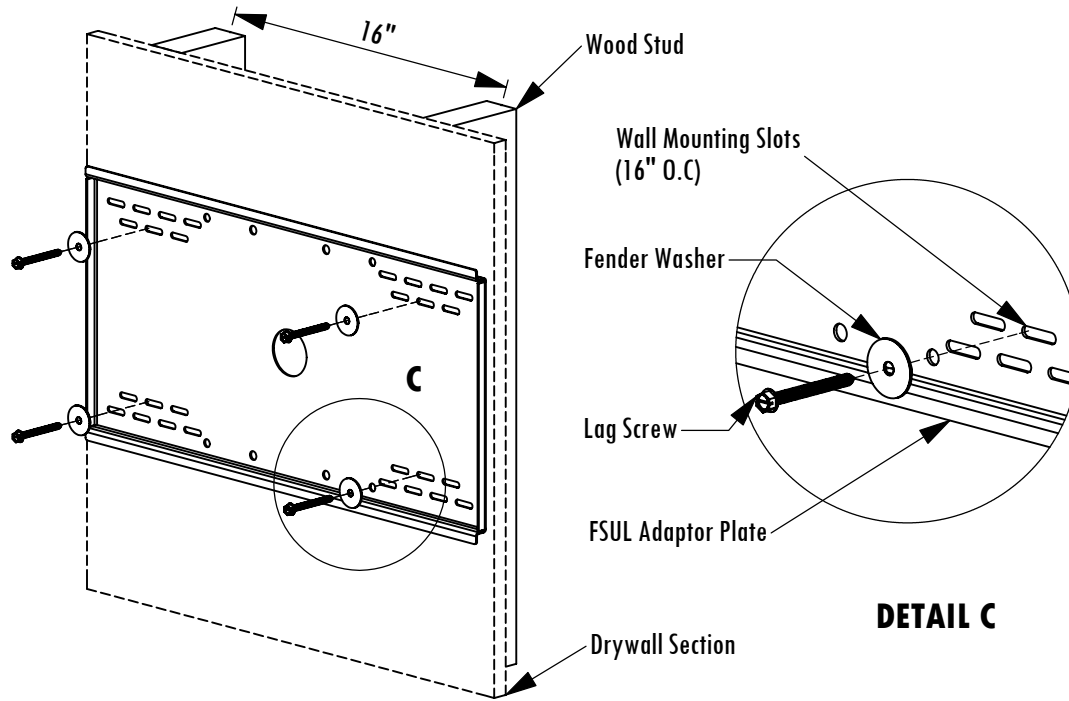
**DETAIL B**

## Hardware List

#14 x 2-1/2" HWH Lag Screws .....	4		
1/4" x 1-1/4" Fender Washers .....	4		
#10-24 x 2-3/4 SHC Screws .....	4		
5/32" Hex Wrench .....	1		
4mm x 25mm Setscrews ...	4	4mm Hex Nuts ...	8
5mm x 30mm Setscrews ...	4	5mm Hex Nuts ...	8
6mm x 30mm Setscrews ...	4	6mm Hex Nuts ...	8
8mm x 30mm Setscrews ...	4	8mm Hex Nuts ...	8
4mm x 16mm Phillips Screws ...	4	5mm Flat Washers ...	12
5mm x 16mm Phillips Screws ...	4	1/4" Flat Washers ...	12
6mm x 16mm Phillips Screws ...	4	8mm Flat Washers ...	12
8mm x 16mm Phillips Screws ...	4		

## FSUL Wall Mount Installation

# FSUL Series Installation Instructions



**DETAIL C**

## FSUL Wall Mount Installation

Wood Lag Screws are provided for wood stud installations. For concrete or metal studs, use the WMAAB4, concrete anchor bolt kit, or WMATB4, toggler bolt kit, and follow the instructions specific to these fasteners.

1. Find two wood studs in the wall on 16" centers. Determine the best possible viewing location on the wall.
2. Using the FSUL Adaptor Plate as a template, mark the locations for four wood screw pilot holes.
3. Drill the four pilot holes using a 1/8" drill bit, 2-3/4" deep.
4. Attach the FSUL Adaptor Plate to the wall using the four provided Lag Screws and Fender Washers. (DETAIL C)

## FSUL Adaptor Plate Installation

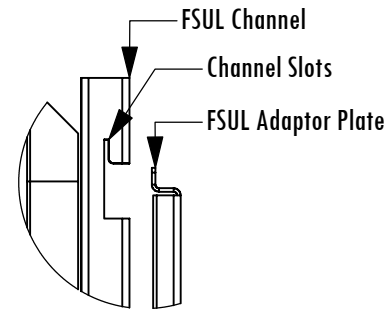
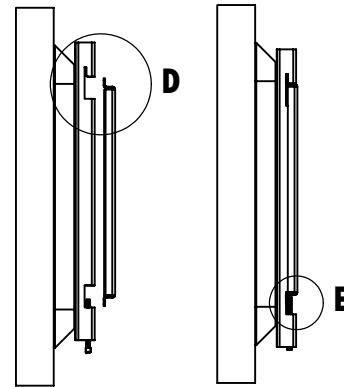
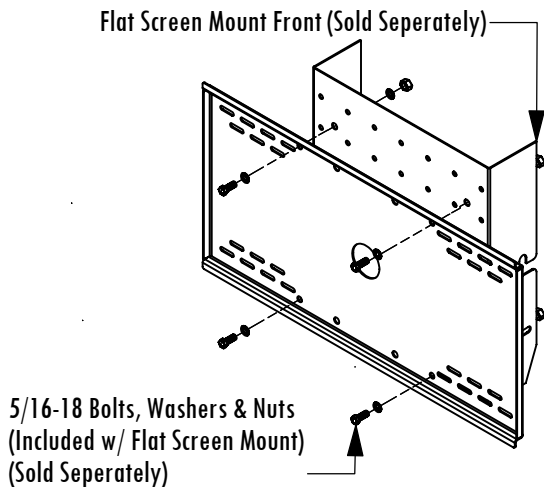
Use the hardware provided with the Flat Screen Mount (purchased separately) to attach the FSUL Adaptor Plate to the Flat Screen Mount Front.

## Attaching Channels

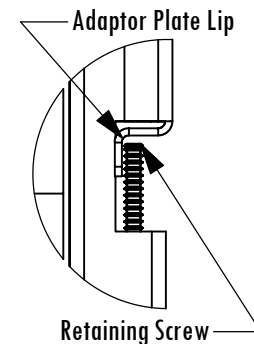
1. Carefully pick up the monitor with FSUL Channels attached and hook the Channel Slots over the FSUL Adaptor Plate. (DETAIL D)
  2. Slide the monitor with attached channels on the adaptor plate until it is centered on the plate.
  3. Reach under the monitor and tighten the Retaining Screws using the provided Hex Wrench. Screw in only until the screws contacts the Adaptor Plate Lip bend. (DETAIL E)
- Caution: **DO NOT OVERTIGHTEN** the Retaining Screws and check to make sure the Adaptor Plate Lip is trapped behind the screws.

## FSUL Adaptor Plate Installation

## Side View with Monitor Attached



**DETAIL D**



**DETAIL E**