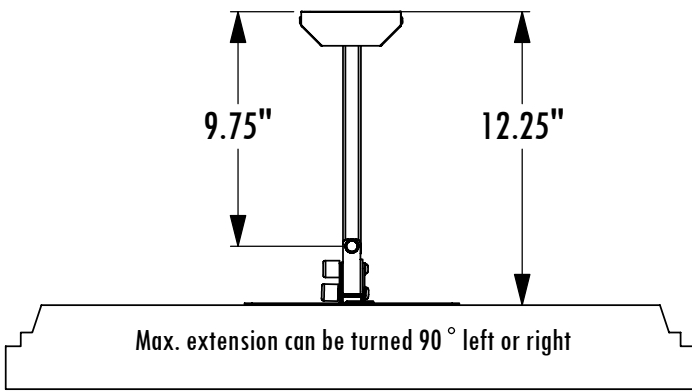
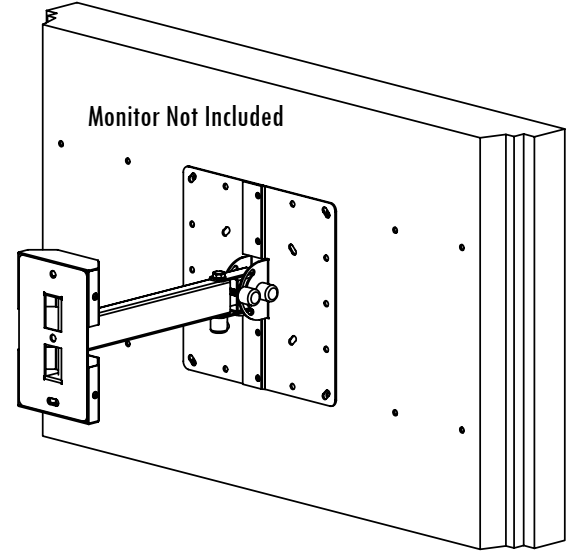


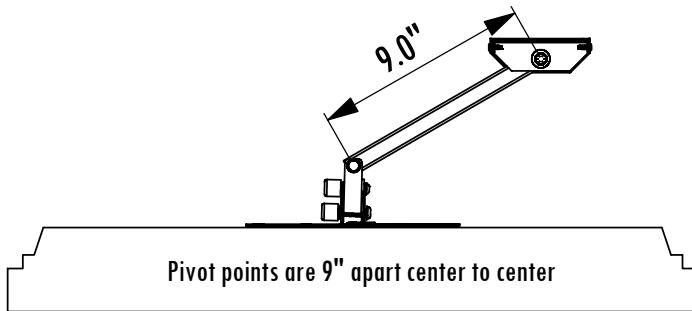
# LC200WA2 Dimensions

## Articulating Wall Mount for 20" to 32" Flat Panel Screens

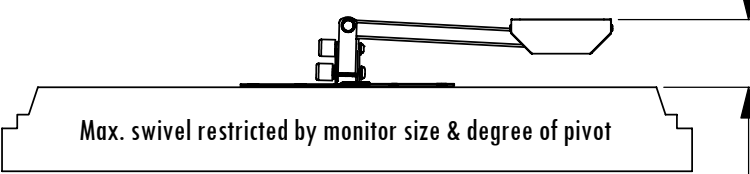
Model	Load Limit (lbs.)	Swivel	Tilt	Projection from Wall	Mounts to Boss Patterns	Ship. Wt. (lbs.)
<b>LC200WA2</b>	50	180°	±45°	2-3/4" - 12"	up to 200mm VESA®	7



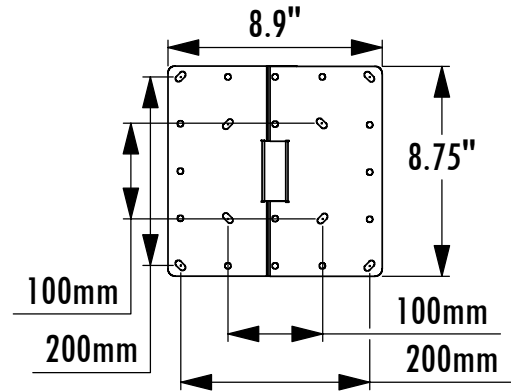
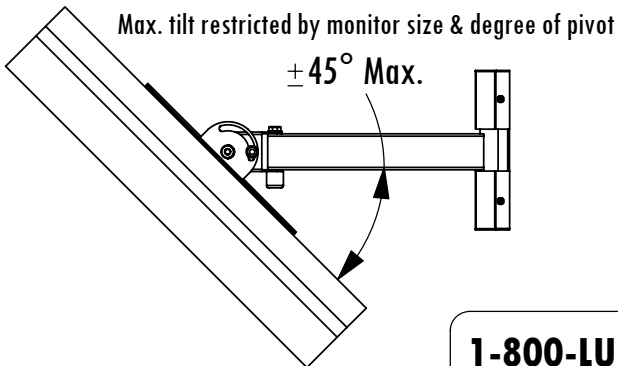
Max. extension can be turned 90° left or right



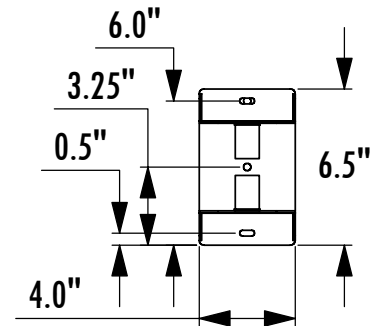
Pivot points are 9" apart center to center



Max. swivel restricted by monitor size & degree of pivot



**VESA® Plate**



**Wall Plate**

**1-800-LUCASEY • 1-510-534-1435**

©2005 Lucasey Manufacturing Corporation, Oakland, California

