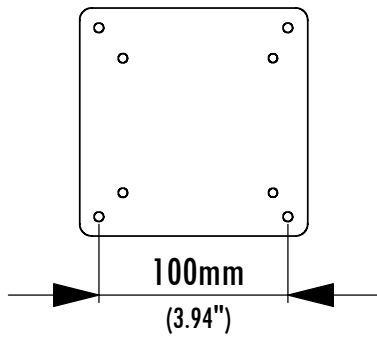
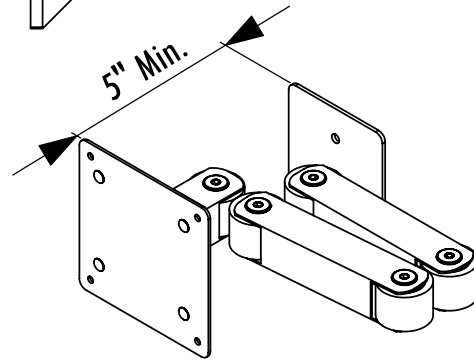
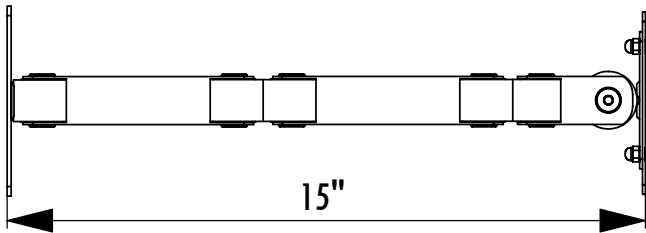
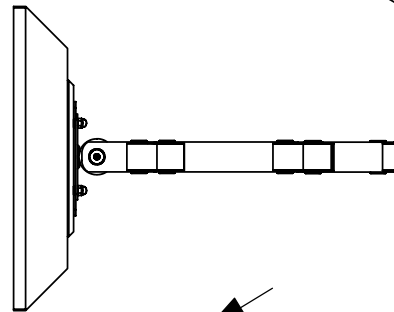
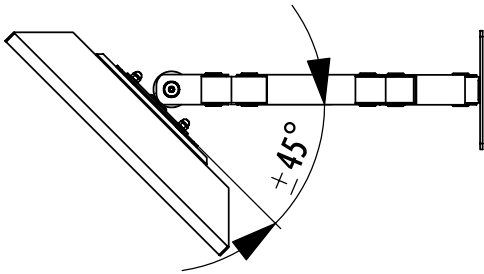
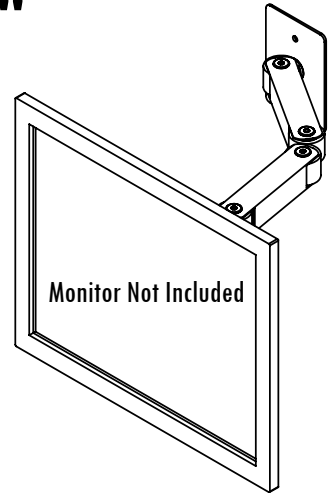


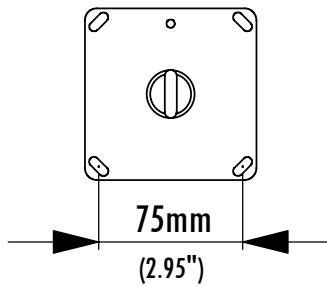
LCDUWDA1 Dimensions

Dual Arm Articulating Wall Mount for Flat Panel Screens up to 19"

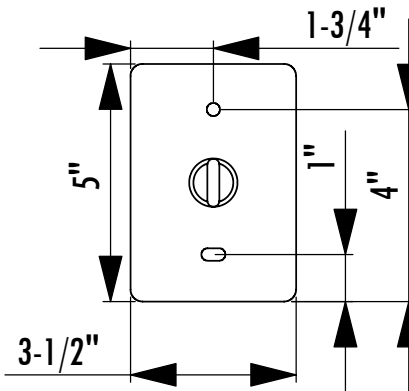
Model	Load Limit (lbs.)	Swivel	Tilt	Projection from Wall	Ship. Wt. (lbs.)
LCDUWDA1	20	180°	±45°	5"-15"	12



100mm VESA® Plate



75mm VESA® Plate



Wall Mount Plate

1-800-LUCASEY • 1-510-534-1435

©2005 Lucasey Manufacturing Corporation, Oakland, California

