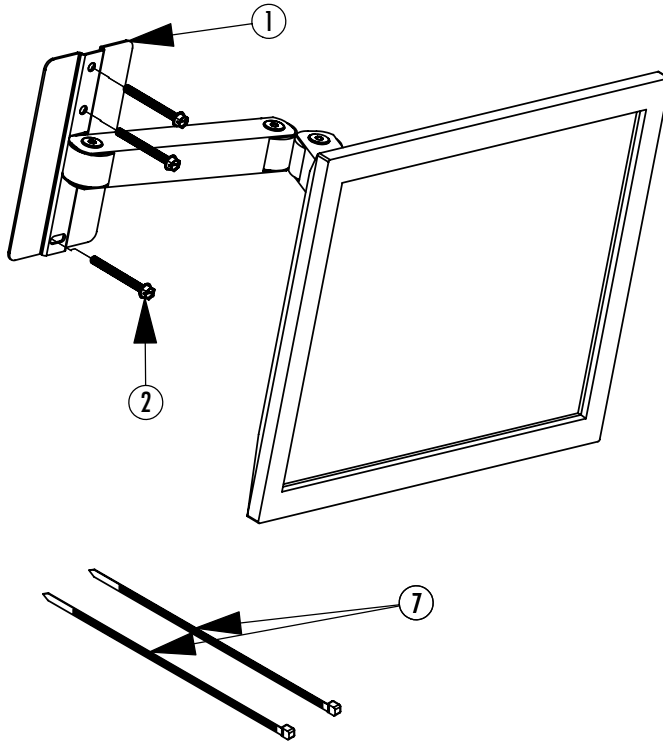


LCDUWDA2

Dual Articulating Wall Mount for 75-100MM VESA® Patterns



1. Predetermine the best possible viewing location for the monitor and attach LCD wall plate (#1) to studs in wall with appropriate hardware. Lag screws have been provided for wood stud applications.
2. 75mm VESA® pattern install: Set aside 100mm plate (#4) and #10-24 acorn nuts (#6). Attach plate (#3) to LCD with screws appropriate for your monitor. M4x12MM x .7P have been provided (#5)
3. 100mm VESA® pattern install: Attach 100mm plate (#4) to 75mm plate (#3) with four #10-24 acorn nuts. Attach 100mm plate (#4) to LCD with screws appropriate to your monitor. M4x12MM x .7P have been provided.
4. Wrap up any loose cords using tie straps (#7) allowing enough slack for full movement of arms.

Maximum Total Projection 17"

