

52" CLASS (52.0" DIAGONAL)  
47" CLASS (46.9" DIAGONAL)

52LG50DC  
47LG50DC

LCD TV

LCD Widescreen

Integrated HDTV



NATIVE DISPLAY RESOLUTION  
1920 x 1080 (1080p Full HD resolution)

DYNAMIC POWER SAVINGS

DYNAMIC CONTRAST RATIO  
15,000:1

BUILT-IN TUNER  
ATSC/NTSC/Clear QAM

PUBLIC DISPLAY SETTINGS  
Cloning capable

LG'S EXCLUSIVE XD ENGINE®

REAL CINEMA™

CLEAR VOICE™

2 HDMI™ WITH HDCP

USB INPUT FOR PHOTOS AND MUSIC

AUTO-SENSING REMOTE JACK PACK  
(RJP) CAPABLE  
using optional HCS5610 pay-per-view box

PRO:IDIOM® CAPABLE  
using optional HCS5610 pay-per-view box

ENERGY STAR® COMPLIANT

RoHS COMPLIANT

INVISIBLE SPEAKER SYSTEM

CUSTOMIZABLE CLOSED CAPTIONS

CABINET COLOR  
High-gloss black

1-YEAR LIMITED WARRANTY  
(parts/labor)

[www.LGcommercial.com](http://www.LGcommercial.com)

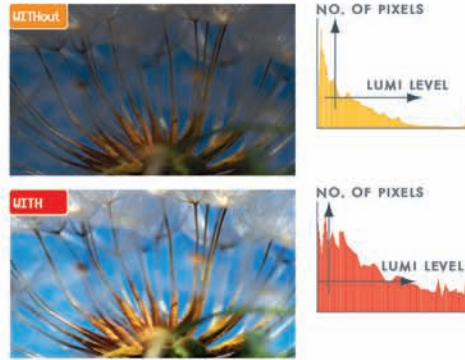


# XD ENGINE

SHARPER  
BRIGHTER  
CLEARER

## ULTRA CONTRAST

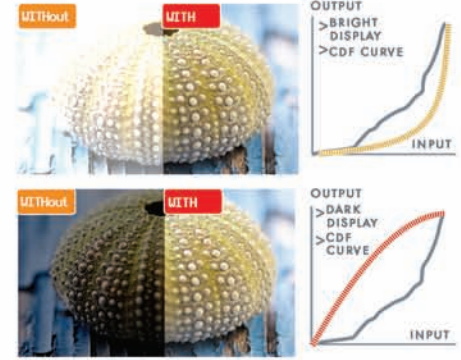
AT A BLAZINGLY FAST 370 MILLION PIXELS PER SECOND, THE PROCESSOR USES A HISTOGRAM ANALYZATION TOOL TO CLARIFY THE IMAGE DATA ACCORDING TO SIGNAL BRIGHTNESS LEVELS.



Dramatization

## DYNAMIC BLACK STRETCH

THE MINIMUM BLACK LEVEL OF AN IMAGE IS AUTOMATICALLY DETECTED AND ADJUSTED ACCORDING TO BRIGHTNESS.



Dramatization

# SPECIAL FEATURES

## CLEAR VOICE

### BALANCED SOUND TO EMPHASIZE DIALOGUE

Designed to automatically enhance and amplify the sounds of the human voice frequency range, Clear Voice Technology helps keep dialogue audible when background noises swell.



## PUBLIC DISPLAY SETTINGS CLONING CAPABLE

When used in public areas, these HDTVs can be easily programmed by the installer to have the TV turn on at a specified channel/volume level, set the minimum/ maximum volume, lock out the control panel/remote, set the aspect ratio, and return to a factory reset. By using Power Management, these displays can be programmed to turn off if there has been no activity (remote or control panel buttons) for a preset time (1-7) hours.

Public Display Settings	
Public Display Mode	No
Start Channel	No
Ch. Type	TV
Major	2
Minor	0
Minimum Volume	0
Maximum Volume	100
Start Volume	No
Level	20
Power Management	No
Setting	1
Key Management	0
Factory Reset	0
Aspect Ratio	0
PDM Plus	▶

PDM Plus (V1.1)	
Public On Status	Stand By
Static Dimming	100
Dynamic Dimming	No
Ch. Override	Yes
Ch. Not Available	No
RJP Available	No
Auto Campout	Yes
Start Aux Source	
Aux Source Settings	
-AV1	Enable
-AV2	Enable
-Component1	Enable
-Component2	Enable
-RGB	Enable
-HDMI1	Enable
-HDMI2	Enable
Power On AV Reset	No

## invisible SPEAKER

### SOUND IS HEARD, NOT SEEN

Breaking through the fixed idea that speaker grills must be exposed, the Invisible Speaker design provides a "full sweet spot" and more realistic sound. Personally tuned by Mr. Mark Levinson, world-renowned audio authority, this unique design has rich and lively sound that can be enjoyed from any angle.



## POWER SAVING LEVELS

By selecting lower levels of backlight settings, a reduction in power consumption is achieved resulting in energy savings and lower costs.

### 52LG50DC in Vivid Mode

BACKLIGHT SETTING VALUE	BRIGHTNESS (cd / m <sup>2</sup> )	*POWER CONSUMPTION (Watts)
Level 100	349 cd/m <sup>2</sup>	350 Watts
90	95%**	94%**
80	90%	90%
70	78%	80%
60	68%	72%
50	60%	66%
40	52%	60%
30	46%	55%
20	38%	49%
10	34%	45%
1	30%	43%

### 47LG50DC in Vivid Mode

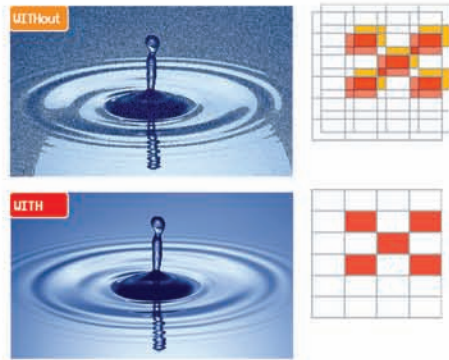
BACKLIGHT SETTING VALUE	BRIGHTNESS (cd / m <sup>2</sup> )	*POWER CONSUMPTION (Watts)
Level 100	382 cd/m <sup>2</sup>	304 Watts
90	98%**	95%**
80	94%	91%
70	71%	73%
60	55%	60%
50	46%	53%
40	38%	46%
30	29%	40%
20	22%	34%
10	13%	27%
1	5%	20%

\* Power consumption was measured using IEC62087 dynamic broadcast - content video signal

\*\* All percentages listed are percentages based off of level 100

## CLEAR SCREEN

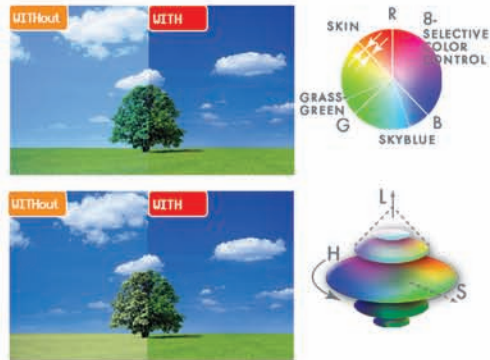
USING THE NOISE FILTER INSIDE THE XD ENGINE CHIP, THE IMAGE IS ANALYZED FOR TEMPORAL AND SPATIAL INFORMATION TO REDUCE MPEG NOISE.



Dramatization

## ADVANCED VIVID COLOR

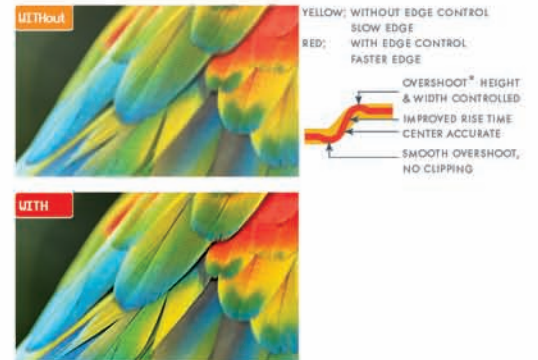
COLORS THAT ARE SENSITIVE TO THE HUMAN EYE ARE OPTIMIZED TO THE NEAREST TRUE COLOR BY THE SELECTIVE COLOR CONTROL.



Dramatization

## INTELLIGENT EDGE CONTROL

EDGE LINES ARE EMPHASIZED BY IMPROVING THE TRANSITION FROM THE BACKGROUND TO THE MAIN OBJECT.



Dramatization

## REMOTE CONTROL



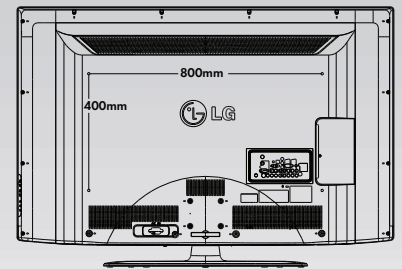
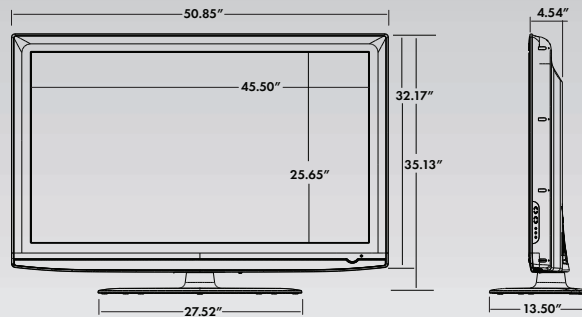
## TLL-1100A TVLink-Loader



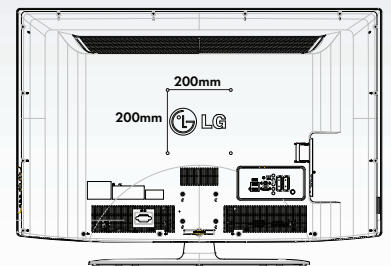
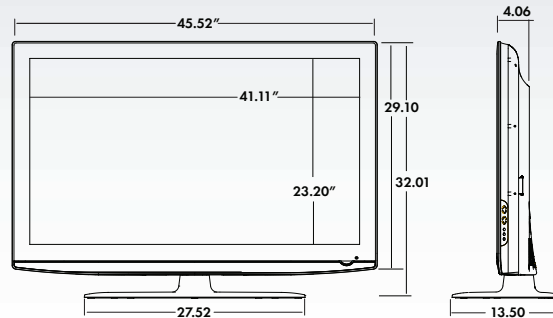
By using the handheld, rechargeable TVLink-Loader, the installer can "clone" the Public Display Settings from one TV and then transfer this information quickly to many other TVs that have this feature.

# DIMENSIONS

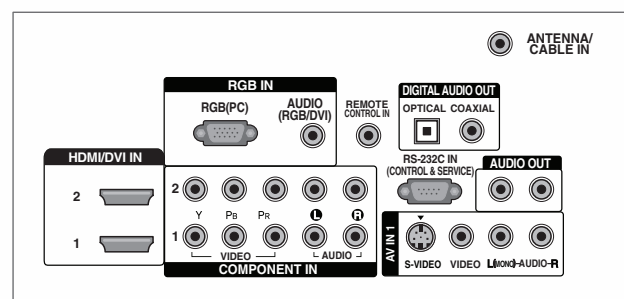
### 52LG50DC



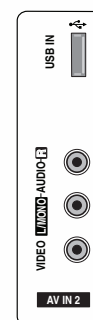
### 47LG50DC



## REAR JACK PACK PANEL



## SIDE



52LG50DC  
47LG50DC

52" CLASS (52.0" DIAGONAL)

47" CLASS (46.9" DIAGONAL)

# SPECIFICATIONS

## PANEL

LCD Panel Type	52" (52LG50DC) 47" (47LG50DC)
Display Area	52.0" diagonal (52LG50DC) 46.9" diagonal (47LG50DC)
Native Display Resolution	1920 x 1080
Brightness	450 cd/m <sup>2</sup> (52") 500 cd/m <sup>2</sup> (47")
Dynamic Contrast Ratio	15,000:1
Contrast Ratio	1,500:1
Viewing Angle (HxV)	178° x 178°
Response Time (G to G)	5ms
Pure Black Level	Yes
True Wide View	Yes
Life Span (approx. hr)	60,000 (Module 50,000)

## BROADCASTING SYSTEM

Analog/Digital	ATSC/NTSC/Clear QAM 1 tuner
----------------	-----------------------------

## VIDEO

XD Engine	Yes
Aspect Ratio	16:9
Aspect Ratio Correction	6 mode (16:9, Just scan, 4:3, Set by program, Zoom 1, Zoom 2)
Just Scan (0% overscan) - when "Just Scan Mode" selected	HDMI (1080i/1080p/720p) Component (1080i/1080p/720p) RF(1080i/720p)
Enhanced Line Doubler	Yes
Enhanced Noise Reduction	Yes (3D & MPEG)
Digital Comb Filter	Yes (3D)
DLTI (Digital Luminance Transient Improver)	Yes
DCTI (Color Transient Improver)	Yes
Color Temperature Control	Cool, Medium, Warm
Black Stretcher	Yes
Cinema 3:2, 2:2 Pulldown	3:2 (TV/S-Video/Composite - 480i, Component 480i/576i/1080i)
Picture Status Mode	8 modes
XD color (Active Color Management)	Yes
DTV Signal Strength (Digital)	Yes

## AUDIO

Mono/Stereo/Dual (MTS/SAP)	Yes
Audio Output (Watts - THD 10%)	10W + 10W
Invisible Speaker System	Yes
Speaker System Details	2 Way 4 Speakers
Dolby Digital <sup>®</sup> Decoder	Yes
Surround System	SRS TruSurround XT <sup>™</sup>
Bass/Treble/Balance	Yes
AVL (Auto Volume Leveler)	Yes
Sound Status Mode	5 modes (Standard, Music, Cinema, Sports, Game)
Mute	Yes

## SPECIAL FEATURES

Intelligent Sensor	Yes
Real Cinema	Yes
Public Display Settings	Yes
EPG (Brief Info)	Yes
1080p Source Input	HDMI (60/30/24p)/Component (60/30/24p) RGB (60p)
AV Input Navigation	Yes
Auto Navigation	Yes
Input Labeling	Cable Box/VCR/DVD/Set Top Box/PC/Game
Quick View (Flash Back)	Yes
Clear Voice (On/Off)	Yes
Quick Set-up Guide	Yes
Parental Control w/ V-Chip	Yes
Key Lock	Yes
Closed Captions (Customizable)	Yes
SimpleLink (HDMI CEC)	Yes
Auto/Manual Clock	Yes
On/Off Time, Sleep, Auto off	Yes
EZ OSD (Menu System)	Yes
Menu Languages	Yes (English, Spanish, French)
USB Input for Photos and Music	Yes
Universal Remote	Yes

## COMPATIBILITIES

Pro:Idiom	Yes (using optional HCS5610 pay-per-view box)
Optional Auto-Sensing Remote Jack Packs	Yes (using optional HCS5610 pay-per-view box)
<b>JACK PACK</b>	
Side	AV In 1 USB 2.0 1 (Photos, Music, Service) HDMI In 1
Rear	RF In (Antenna/Cable) 1 AV In 1 S-Video In 1 Component in (Y,Pb,Pr) + Audio 2 Digital Audio Out 1 Optical/1 Coaxial Analog Audio Out (L/R) 1 HDMI/HDCP Input 2 RGB In (D-sub 15pin) - PC 1 PC Audio Input 1 S-232C (Control / SVC) 1 Remote Control In port 1

## CABINET

Unit Dimensions with Stand (WxHxD)	50.85" x 35.12" x 13.5" (52") 45.52" x 32.01" x 13.5" (47")	
Unit Dimensions without Stand (WxHxD)	50.85" x 32.17" x 4.54" (5.48)* (52") 45.52" x 29.10" x 4.06" (4.96)* (47")	
Unit Weight	with Stand 87.10 lbs (52") 65.05 lbs (47")	without Stand 79.95 lbs (52") 54.24 lbs (47")
Carton Dimensions (WxHxD)	54.57" x 16.18" x 35.43" (52") 49.84" x 18.11" x 34.92" (47")	
Shipping Weight	110.25 lbs (52") 80.70 lbs (47")	
Cabinet Color	High-Gloss Black	
Cable Management Clip	Yes	
Swivel (stand)	Included/Detachable +/- 20°	
ENERGY STAR Compliant	Yes	
RoHS Compliant	Yes	
UL Standard	Listed	
VESA <sup>™</sup> Compatible	Yes (200mm x 200mm, M6) (47") Yes (800mm x 400mm, M4) (52")	

## POWER

Dynamic/Static Power Savings	Yes
Voltage, Hz	100 ~ 240V, 50/60Hz
Power Consumption (Max/Typ.)	375W/340W (52") with power saving modes disabled 330W/300W (47")
Power Consumption (Stand-by)	Under 1W

## UPC

52LG50DC	7 19192 17434 4
47LG50DC	7 19192 17433 7

## LIMITED WARRANTY

	1 Year (parts/labor)
--	----------------------

\*Depth of monitor including stand adapter plate.

www.LGcommercial.com



LG Electronics U.S.A., Inc.  
Commercial Products Division  
2000 Millbrook Drive  
Lincolnshire, IL 60069

Customer Service: 888.865.3026

Contact your LG Regional Sales Representative:

Hospitality: 800.228.1236

B2B: 800.897.8788

Channel Markets: 800.897.8871

SPEC\_52\_47LG50DC\_100809\_PR



All screen images are simulated. Dimensions and weights are approximate. Design, features and specifications subject to change without notice.

© Copyright 2008 LG Electronics USA, Inc. All Rights Reserved. "LG Life's Good" is a registered trademark of LG Corp. XD Engine is a registered trademark of LG Electronics USA, Inc. Pro:Idiom and MPI are trademarks of Zenith Electronics Corp.

ENERGY STAR is a registered trademark of the U.S. Environmental Protection Agency. VESA is a trademark of Video Electronics Standards Association. HDMI, the HDMI Logo and High-Definition Multimedia Interface are trademarks or registered trademarks of HDMI Licensing LLC. Dolby and the double-D symbol are registered trademarks of Dolby Laboratories. SRS and the SRS symbol are registered trademarks of SRS Labs, Inc. in the U.S. and selected foreign countries. All other product and brand names are trademarks or registered trademarks of their respective companies.

Printed in the USA. October 2008