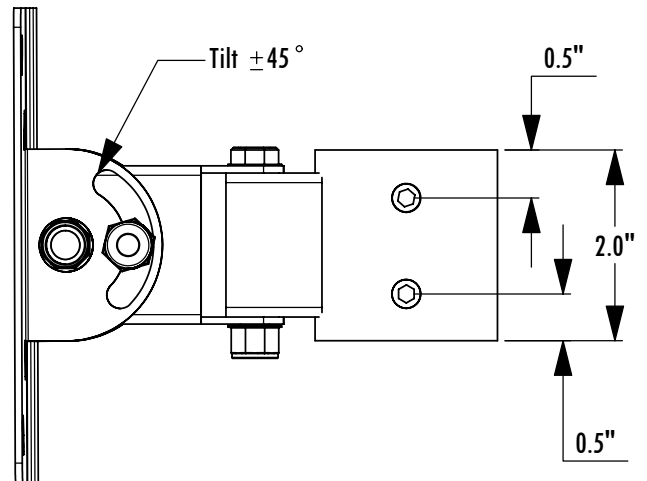
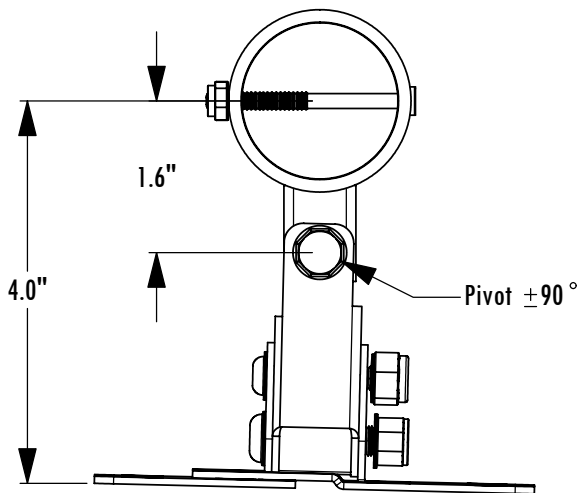
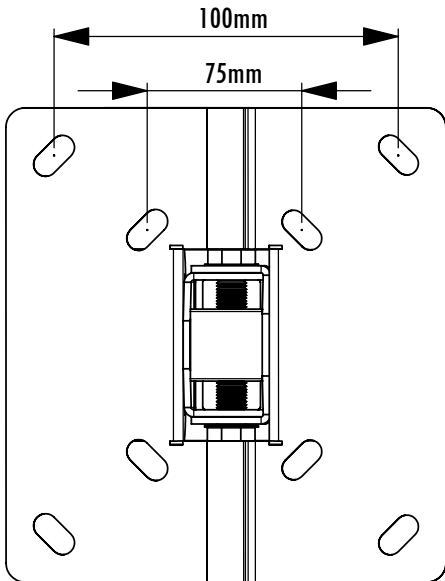
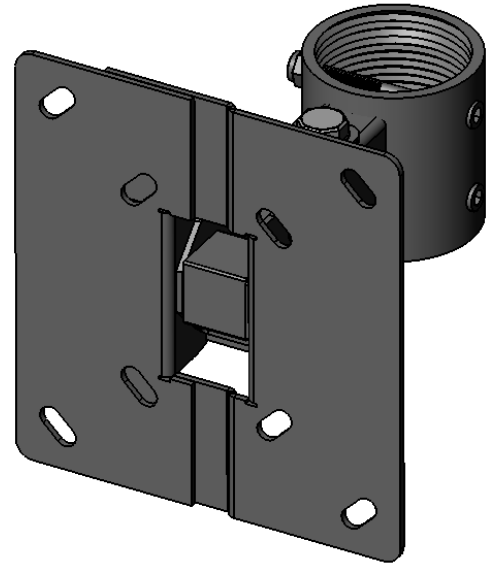


CKLC100CP Dimensions

**Conversion from 1-1/4" I.D. NPT Pipe or 1-1/2" O.D. Tubing
to
75mm or 100mm Mounting Pattern Flat Screen**

Model	Load Limit (lbs.)	Tilt	Pivot	Mounts to Boss Patterns	Ship. Wt. (lbs.)
CKLC100CP	50	±45°	±90°	75mm & 100mm	3



1-800-LUCASEY • 1-510-534-1435

©2009 Lucasey Manufacturing Corporation, Oakland, California

