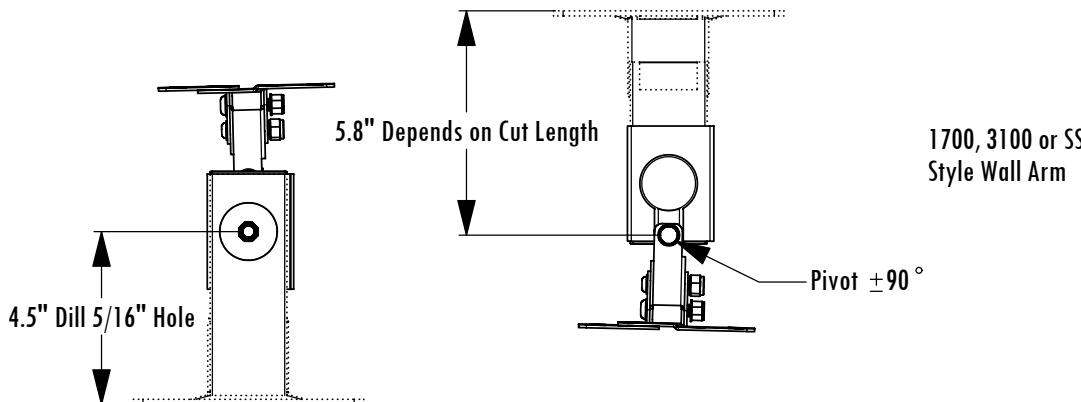
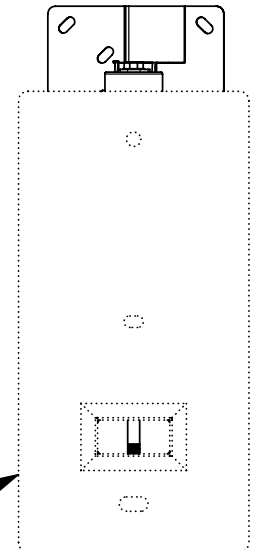
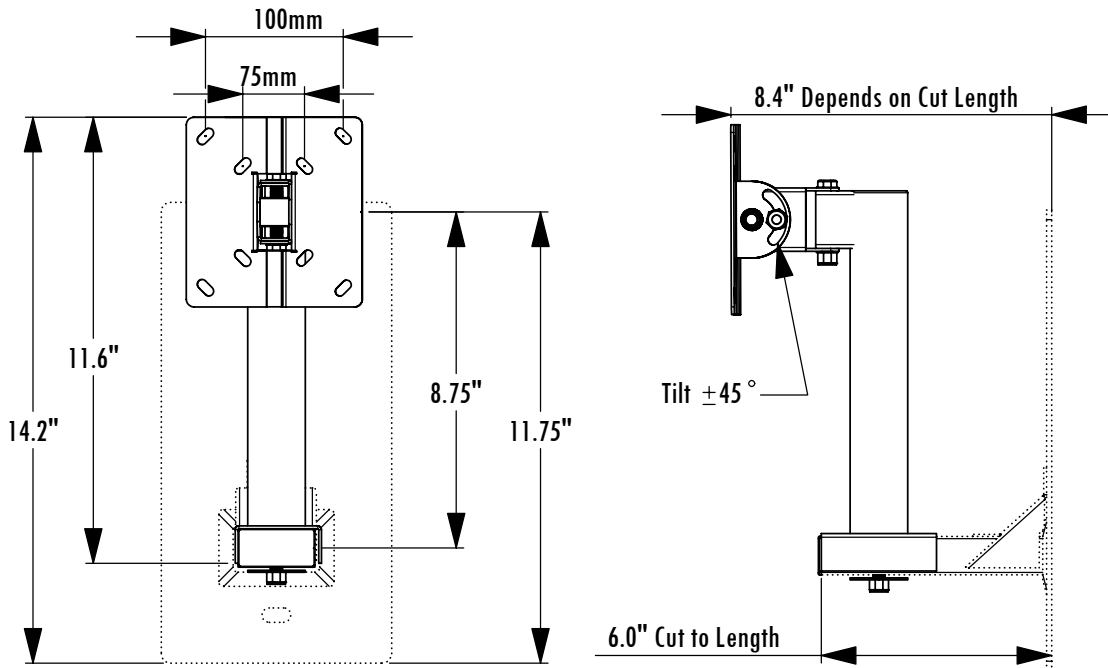
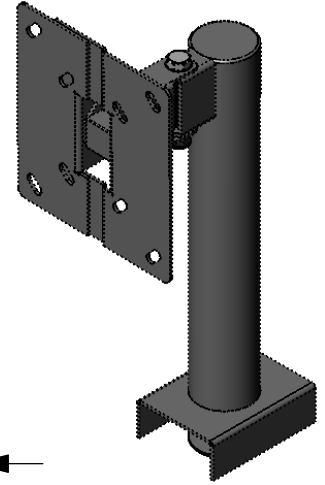


CKLC100CRT17 Dimensions

Conversion from Single Stud CRT TV Wall Mount
to
75mm or 100mm Mounting Pattern Flat Screen

Model	Load Limit (lbs.)	Tilt	Pivot	Mounts to Boss Patterns	Ship. Wt. (lbs.)
CKLC100CRT17	50	±45°	±90°	75mm & 100mm	3



1-800-LUCASEY • 1-510-534-1435

©2009 Lucasey Manufacturing Corporation, Oakland, California

