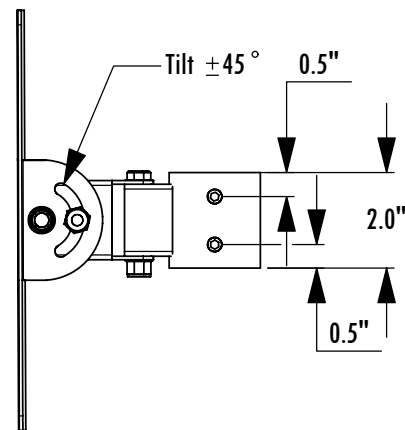
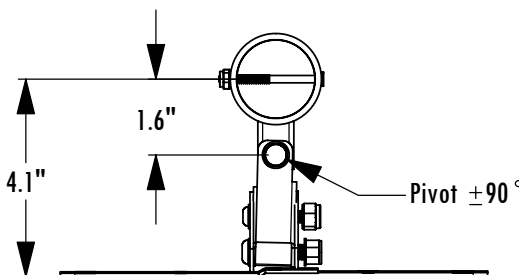
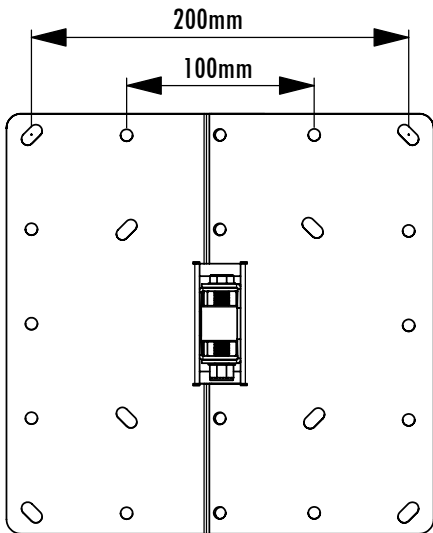
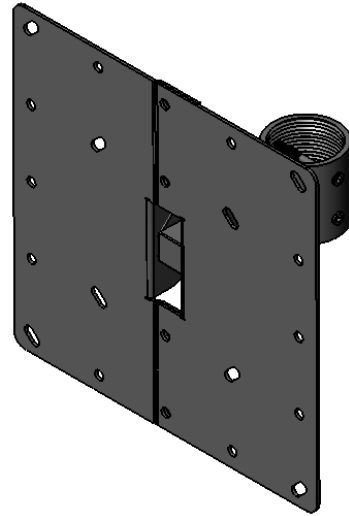


# CKLC200CP Dimensions

Conversion from 1-1/4" I.D. NPT Pipe or 1-1/2" O.D. Tubing  
to  
100mm or 200mm Mounting Pattern Flat Screen

Model	Load Limit (lbs.)	Tilt	Pivot	Mounts to Boss Patterns	Ship. Wt. (lbs.)
CKLC200CP	50	±45°	±90°	100mm & 200mm	4



**1-800-LUCASEY • 1-510-534-1435**

©2009 Lucasey Manufacturing Corporation, Oakland, California

