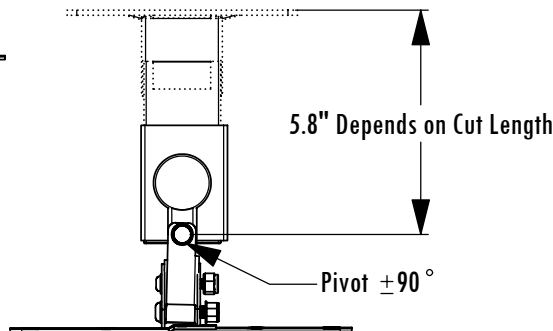
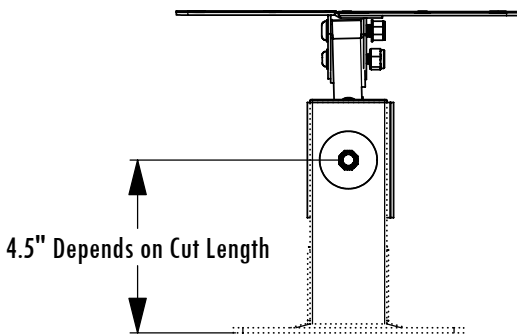
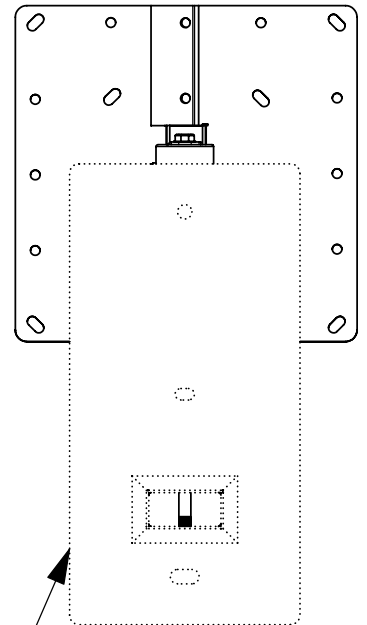
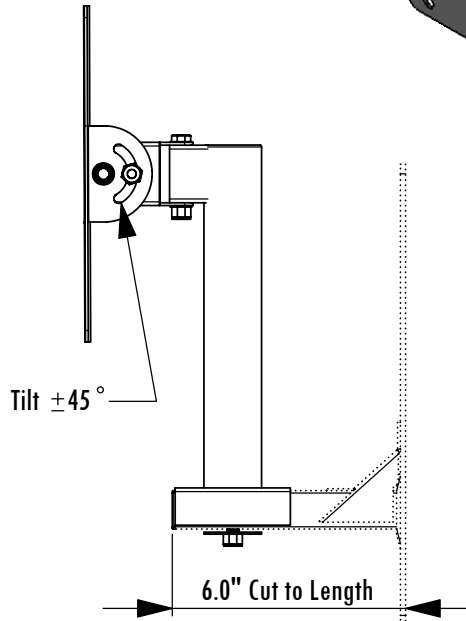
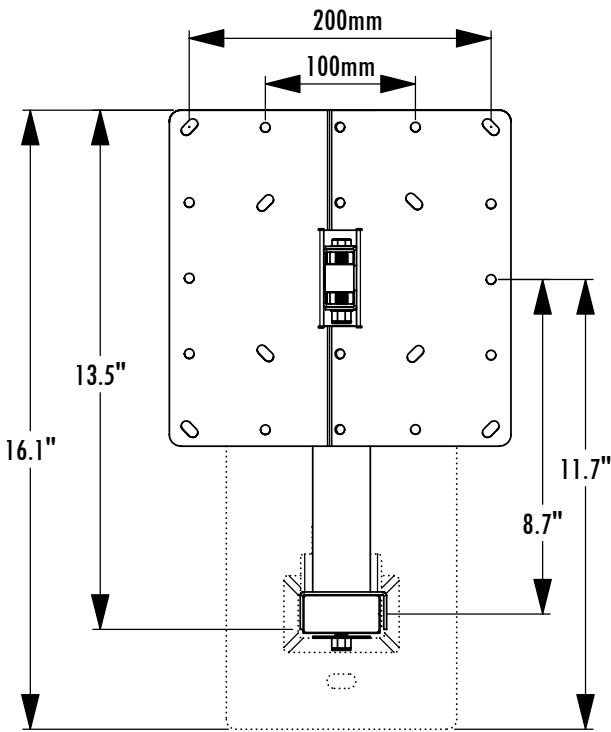
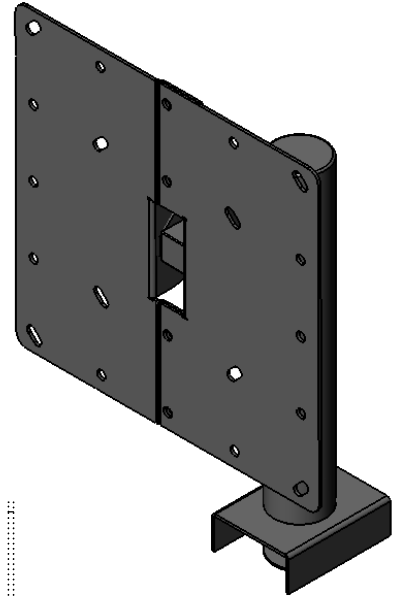


CKLC200CRT17 Dimensions

Conversion from Single Stud CRT TV Wall Mount
to
100mm or 200mm Mounting Pattern Flat Screen

Model	Load Limit (lbs.)	Tilt	Pivot	Mounts to Boss Patterns	Ship. Wt. (lbs.)
CKLC200CRT17	50	±45°	±90°	100mm & 200mm	4



1700, 3100 or SS
Style Wall Arm

1-800-LUCASEY • 1-510-534-1435

©2009 Lucasey Manufacturing Corporation, Oakland, California

