

Pedestal Mount

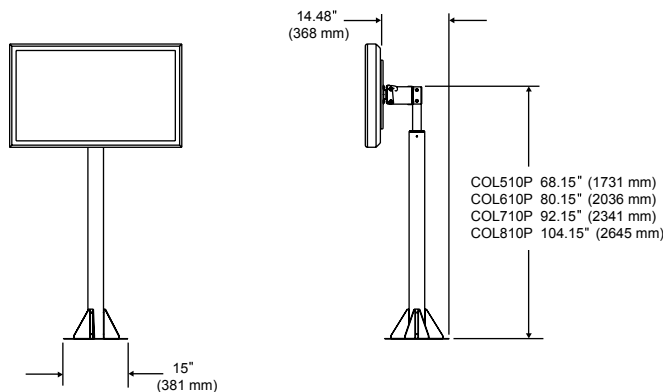
For 32" to 50" (81-127 cm) LCD and Plasma Screens

1. Choice of 5', 6', 7' or 8' (1524, 1828, 2133, or 2438 mm) pedestal height
2. 15° forward tilt for viewing flexibility
3. 360° swivel with swivel stop
4. Screen can be changed from landscape to portrait orientation without screen removal
5. Internal cord management
6. Concrete floor anchors included



For expanded product information and technical data visit www.peerlessmounts.com

TECHNICAL DRAWINGS



MODELS

Dedicated Models:

Screen adapter purchased separately*
Includes theft resistant hardware for attaching screen to mount

COL510P	5 feet	Black
COL610P	6 feet	Black
COL710P	7 feet	Black
COL810P	8 feet	Black

* Dedicated adapter plates come in flat black and include security fasteners

SCREEN ADAPTER

Dedicated Models: Require screen-specific adapter to be purchased separately

SPECIFICATIONS



Max load

150 lb (68 kg)

Product Dimensions (W x H x D)

COL510P:	15" x 58.15" x 14.48" (381 x 1731 x 368 mm)
COL610P:	15" x 80.15" x 14.48" (381 x 2036 x 368 mm)
COL710P:	15" x 92.15" x 14.48" (381 x 2341 x 368 mm)
COL810P:	15" x 104.15" x 14.48" (381 x 2645 x 368 mm)

Mounting Surfaces

Concrete



Ship Weight

COL510P:	Box 1:	16.40 lb (7.42 kg)
	Box 2:	25.20 lb (11.44 kg)
COL610P:	Box 1:	19.15 lb (8.65 kg)
	Box 2:	25.20 lb (11.44 kg)
COL710P:	Box 1:	23.25 lb (11.50 kg)
	Box 2:	25.20 lb (11.44 kg)
COL810P:	Box 1:	26.15 lb (11.86 kg)
	Box 2:	25.20 lb (11.44 kg)

CERTIFICATIONS



ACCESSORIES



ACC833:
Equipment Accessory Shelf .. pg# 127

To verify mount compatibility with any LCD, plasma or projector model use MountFinder™ at www.peerlessmounts.com



CLICK: www.peerlessmounts.com



CALL: 800.865.2112



FAX: 708.865.2941