

# Pedestal Stand

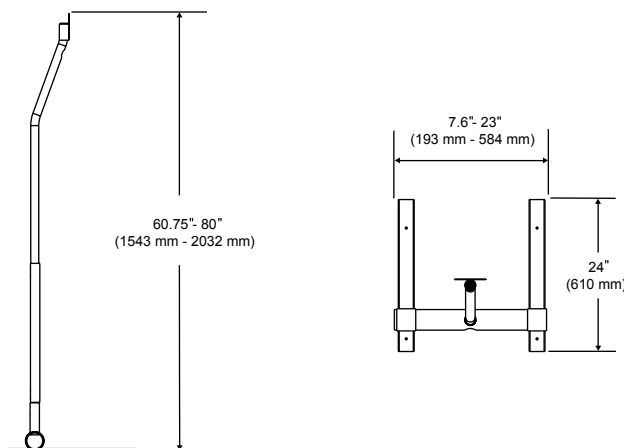
For 10" to 30" (25-76 cm) LCD Screens

1. VESA® 75 and 100 compliant
2. Adjustable height from 60.75" to 80" (1543-2032 mm)
3. Feet can move inward along the tubular structure if required Feet can move inward along the tubular structure if required
4. 180° of swivel at the head (up to 90° on each side)
5. Can be used freestanding up to 25 lb (11 kg) or bolted down up to 40 lb (18 kg)
6. Comes with hardware to bolt to concrete flooring



For expanded product information and technical data visit [www.peerlessmounts.com](http://www.peerlessmounts.com)

## TECHNICAL DRAWINGS



To verify mount compatibility with any LCD, plasma or projector model use MountFinder™ at [www.peerlessmounts.com](http://www.peerlessmounts.com)

**CLICK:** [www.peerlessmounts.com](http://www.peerlessmounts.com)

**CALL:** 800.865.2112

**FAX:** 708.865.2941



## MODELS

### Universal Models:

Includes standard hardware (hex or Phillips) for attaching screen to mount

**LCFS-100** Black  
**LCFS-100S** Silver

## SCREEN ADAPTER



### VESA® pattern

Universal Models: 75 and 100 mm

## SPECIFICATIONS



### Height Adjustment

60.75"-80" (1543-2032 mm)



### Swivel

±90°



### Max load

**Freestanding:** 25 lb (11 kg)  
**Bolted down:** 40 lb (18 kg)

### Product Dimensions (W x H x D)

23" x 60.75"-80" x 24"  
(584 x 1543-2032 x 610 mm)

### Mounting Surfaces

All floor surfaces

### Ship Weight

26 lb (11.8 kg)